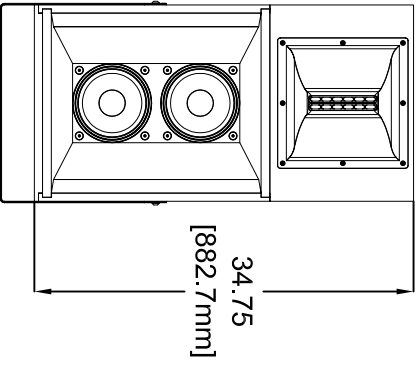
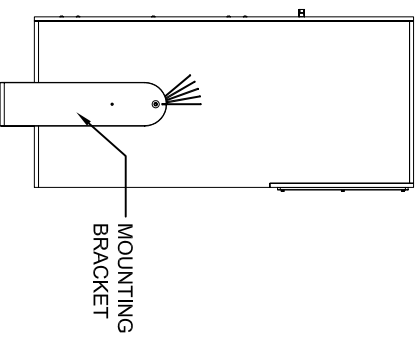


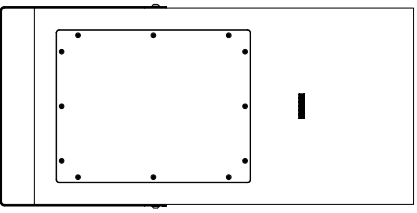
TOP



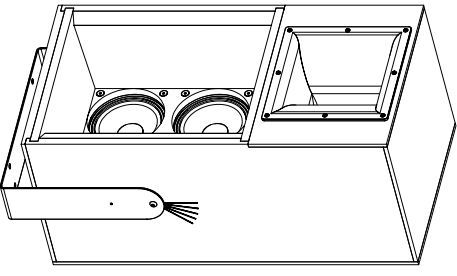
FRONT



SIDE



BACK



UNLESS OTHERWISE SPECIFIED

1. NO NET SCALE DRAWING  
2. DIMENSIONS ARE IN INCHES AND MILLIMETERS

TOLERANCE  
X/X = ±1/64  
XX = ±.03  
XXX = ±.010  
ANGULAR ±.5°

MATERIAL  
AS SPECIFIED  
FINISH  
AS SPECIFIED

APPROVED BY

FINISH  
✓

DRAWN BY  
P. SPURLOCK  
CHECKED BY  
DATE  
11/10/09

**SLS LOUDSPEAKERS**

1650 W. JACKSON STREET  
DZARK, MISSOURI 65721  
417-883-4549 Fax: 417-883-2723

MECHANICAL SPECIFICATION

CSMH2806 CABINET

DWG. NO. W-CSMH2806 REV. 0

SCALE 1/1 SHEET 1 OF 1