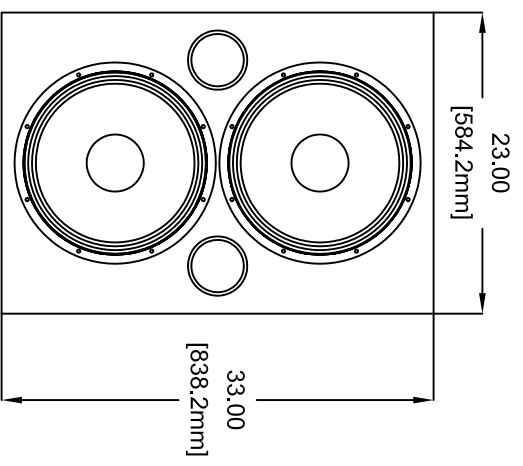
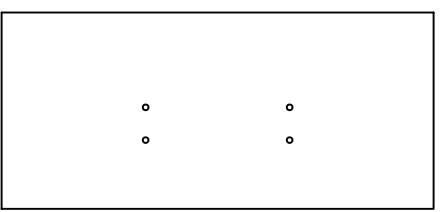


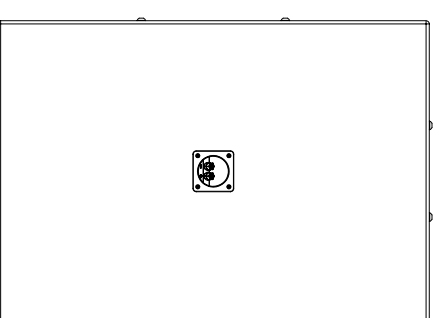
TOP



FRONT



SIDE



BACK

UNLESS OTHERWISE SPECIFIED		TOLERANCE		<b>SLS LOUDSPEAKERS</b> 1650 W. JACKSON STREET DZARK, MISSOURI 65721 417-883-4549 Fax: 417-883-2723	
1. NO NET SCALE DRAWING 2. DIMENSIONS ARE IN INCHES AND MILLIMETERS		X/X = ±1/64 XX = ±.03 XXX = ±.010 ANGULAR ±5°			
MATERIAL	AS SPECIFIED	FINISH	✓	MECHANICAL SPECIFICATION	
FINISH	AS SPECIFIED	DRAWN BY	P. SPURLOCK	CSB215 CABINET	
AS SPECIFIED		CHECKED BY		DWG. NO.	W-CSB215
		DATE	11/10/09	SCALE	1/1
		APPROVED BY		SHEET	1 OF 1
				REV.	0