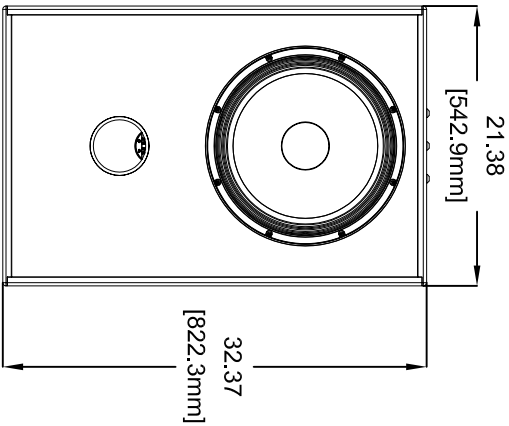
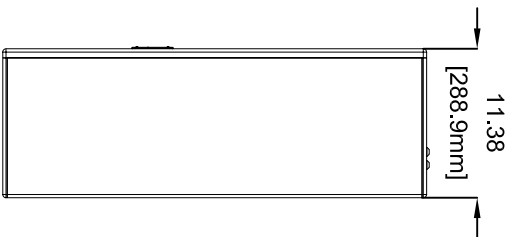


3/8-16 TEE NUT  
3 PLCS.

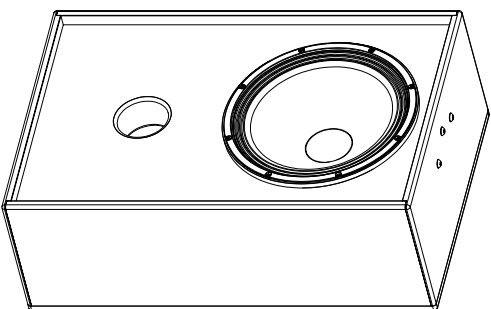
BOTTOM



FRONT



SIDE



UNLESS OTHERWISE SPECIFIED

1. NO NET SCALE DRAWING  
2. DIMENSIONS ARE IN INCHES AND MILLIMETERS

TOLERANCE  
X/X = ±1/64  
XX = ±.03  
XXX = ±.010  
ANGULAR ±5°

MATERIAL  
AS SPECIFIED

FINISH  
AS SPECIFIED

MECHANICAL SPECIFICATION

CSB115 CABINET

1650 W. JACKSON STREET  
DZARK, MISSOURI 65721  
417-883-4549 Fax: 417-883-2723

**SLS LOUDSPEAKERS**

DRAWN BY  
P. SPURLOCK

DATE

11/10/09

CHECKED BY

DWGNO. W-CSB115

REV. 0

APPROVED BY

SCALE 1/1

SHEET 1 OF

1