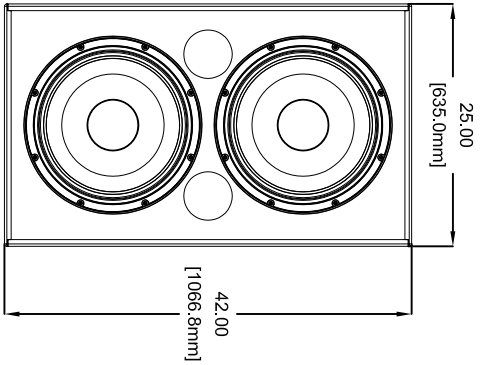
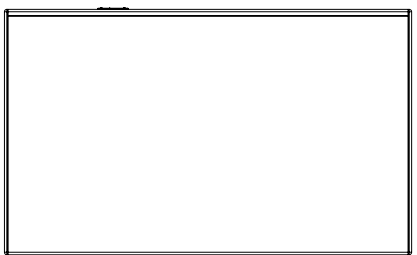


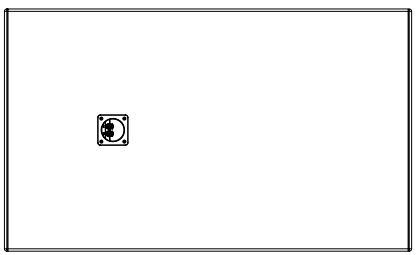
TOP



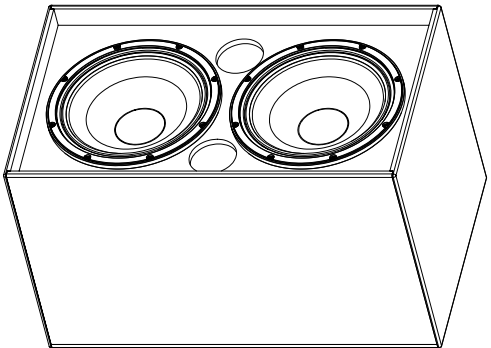
FRONT



SIDE



BACK



UNLESS OTHERWISE SPECIFIED

1. NO NET SCALE DRAWING
2. DIMENSIONS ARE IN INCHES AND MILLIMETERS

MATERIAL
AS SPECIFIED

FINISH
AS SPECIFIED

TOLERANCE

X/X = ±1/64
XX = ±.03
XXX = ±.010
ANGULAR ±.5°

FINISH
✓

DRAWN BY P. SPURLOCK
CHECKED BY
APPROVED BY

SLS LOUDSPEAKERS

1650 W. JACKSON STREET
DZARK, MISSOURI 65721
417-883-4549 Fax: 417-883-2723

MECHANICAL SPECIFICATION

CS218 CABINET

DWG. NO. W-CS218
SCALE 1/1
SHEET 1 OF 1

REV. 0