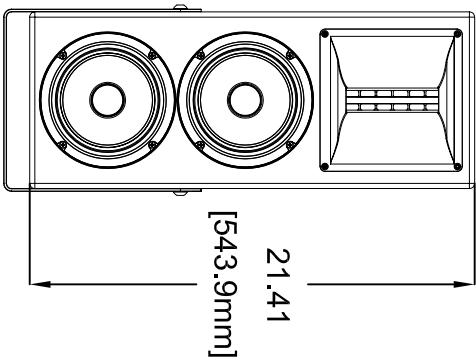
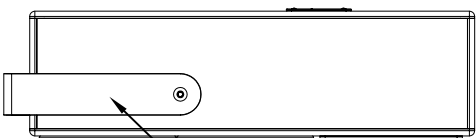


TOP

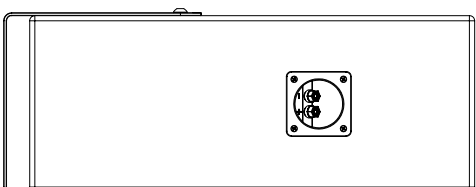
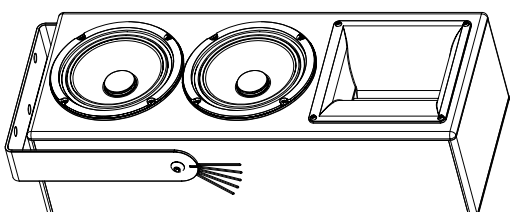


FRONT



SIDE

MOUNTING
BRACKET



BACK

UNLESS OTHERWISE SPECIFIED

1. DO NOT SCALE DRAWING
2. DIMENSIONS ARE IN INCHES AND MILLIMETERS

TOLERANCE

X/X = ±1/64

XX = ±.03

XXX = ±.010

ANGULAR ±.5°

MATERIAL
AS SPECIFIED

FINISH
✓

FINISH
AS SPECIFIED

SLS LOUDSPEAKERS

1650 W. JACKSON STREET
DZARK, MISSOURI 65721
417-883-4549 Fax: 417-883-2723

MECHANICAL SPECIFICATION

CS200 CABINET

DRAWN BY
P. SPURLOCK

DATE
11/10/09

CHECKED BY

DWGNO. W-CS200

REV. 0

APPROVED BY

SCALE 1/1

SHEET 1 OF 1