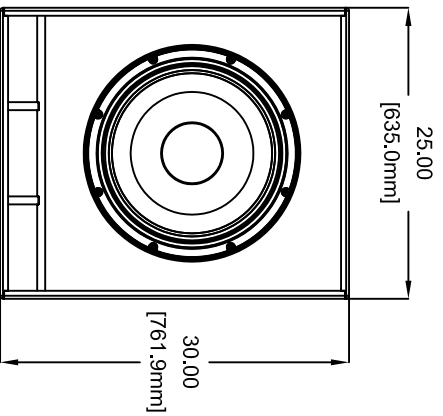
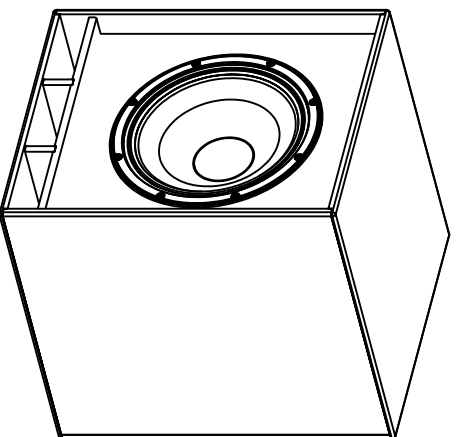
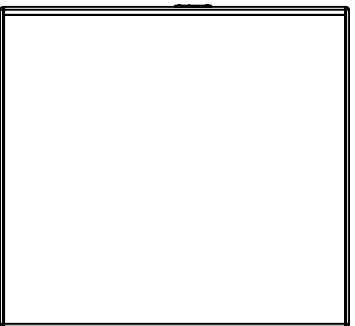


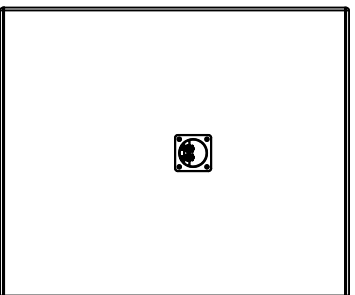
TOP



FRONT



SIDE



BACK

UNLESS OTHERWISE SPECIFIED

1. NO NET SCALE DRAWING
2. DIMENSIONS ARE IN INCHES AND MILLIMETERS

TOLERANCE
X/X = ±1/64
XX = ±.03
XXX = ±.010
ANGULAR ±.5°

MECHANICAL SPECIFICATION

SLS LOUDSPEAKERS

1650 W. JACKSON STREET
DZARK, MISSOURI 65721
417-883-4549 Fax: 417-883-2723

CS118XEL CABINET

MATERIAL AS SPECIFIED
FINISH AS SPECIFIED

DRAWN BY P. SPURLOCK DATE 11/10/09
CHECKED BY
SCALE 1/1

APPROVED BY
DWG. NO. W-CS118XEL
SHEET 1 OF 1

REV. 0

1