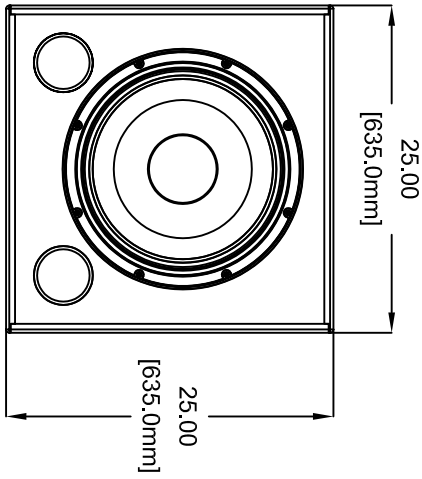
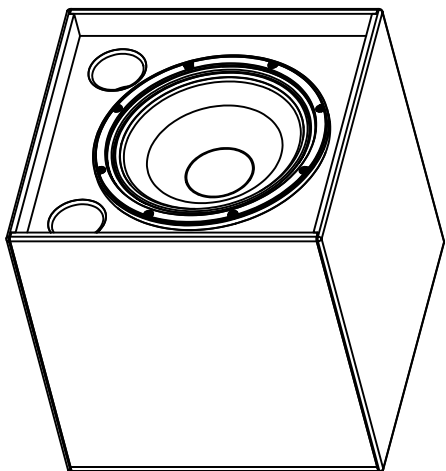
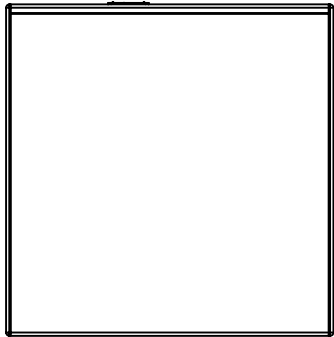


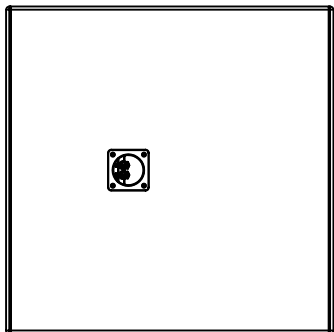
TOP



FRONT



SIDE



BACK

UNLESS OTHERWISE SPECIFIED

1. NO NET SCALE DRAWING  
2. DIMENSIONS ARE IN INCHES AND MILLIMETERS

TOLERANCE  
X/X = ±1/64  
.XX = ±.03  
.XXX = ±.010  
ANGULAR ±5°

MATERIAL  
AS SPECIFIED

FINISH  
AS SPECIFIED

DRAWN BY  
P. SPURLOCK

CHECKED BY

DATE  
11/10/09

APPROVED BY

**SLS LOUDSPEAKERS**

1650 W. JACKSON STREET  
DZARK, MISSOURI 65721  
417-883-4549 Fax: 417-883-2723

MECHANICAL SPECIFICATION

CS118 CABINET

DWG. NO. W-CS118

REV. 0

SCALE 1/1

SHEET 1 OF 1