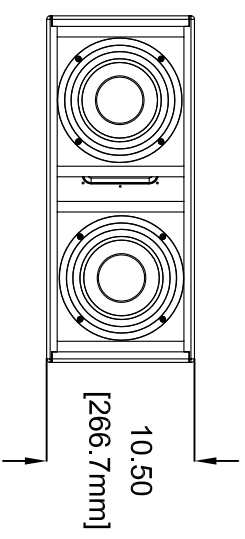
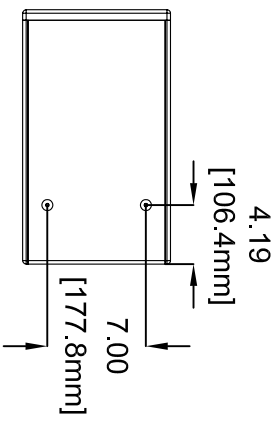


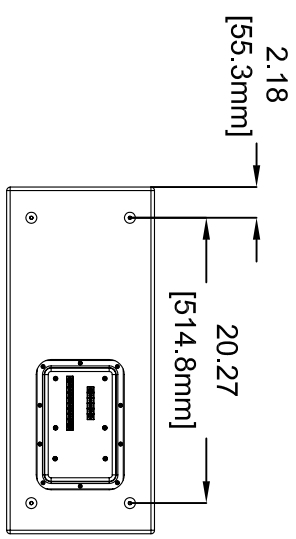
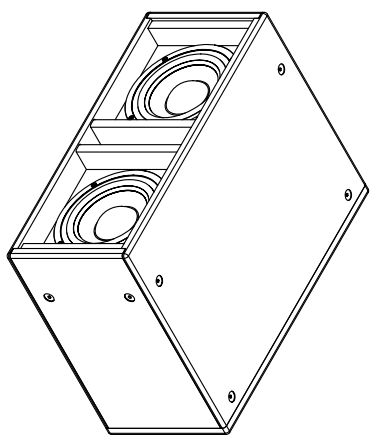
BOTTOM



FRONT



SIDE



BACK

UNLESS OTHERWISE SPECIFIED		TOLERANCE	
1. NO NET SCALE DRAWING		X/X = ±1/64	
2. DIMENSIONS ARE IN INCHES AND MILLIMETERS		XXX = ±.03	
		XXX = ±.010	
		ANGULAR ±5°	
MATERIAL	AS SPECIFIED	FINISH	✓
FINISH	AS SPECIFIED	DRAWN BY	P. SPURLOCK
AS SPECIFIED		CHECKED BY	
		DATE	11/10/09
		APPROVED BY	
SLS LOUDSPEAKERS		MECHANICAL SPECIFICATION	
1650 W. JACKSON STREET		CM208 W CABINET	
DZARK, MISSOURI 65721		DWGNO. W-CM208 W	
417-883-4549 Fax: 417-883-2723		SCALE 1/1	
		SHEET 1 OF 1	
		REV. 0	