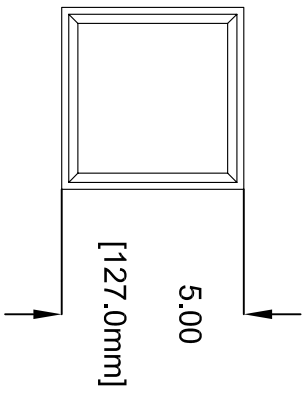
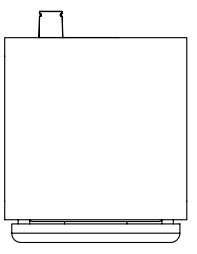


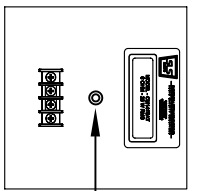
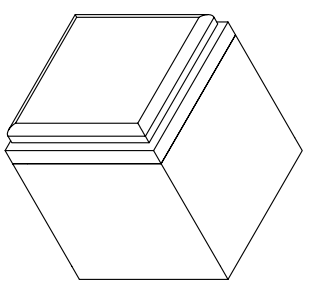
TOP



FRONT



SIDE



BACK

UNLESS OTHERWISE SPECIFIED		TOLERANCE	
1. NO NET SCALE DRAWING 2. DIMENSIONS ARE IN INCHES AND MILLIMETERS		X/X = ±1/64 XX = ±.03 XXX = ±.010 ANGULAR ±.5°	
MATERIAL	AS SPECIFIED	FINISH	✓
FINISH	AS SPECIFIED	DRAWN BY	P. SPURLOCK
		CHECKED BY	
		DATE	11/10/09
		APPROVED BY	
SLS LOUDSPEAKERS		MECHANICAL SPECIFICATION	
1650 W. JACKSON STREET DZARK, MISSOURI 65721 417-883-4549 Fax: 417-883-2723		CM141CC CABINET	
DWG. NO.	W-CM141CC	SCALE	1/1
REV.	0	SHEET	1 OF 1