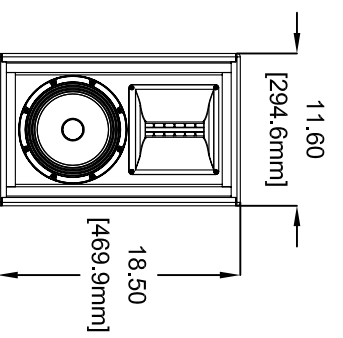
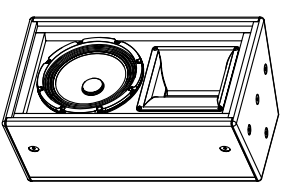
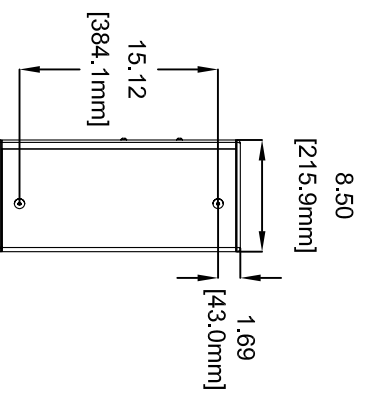


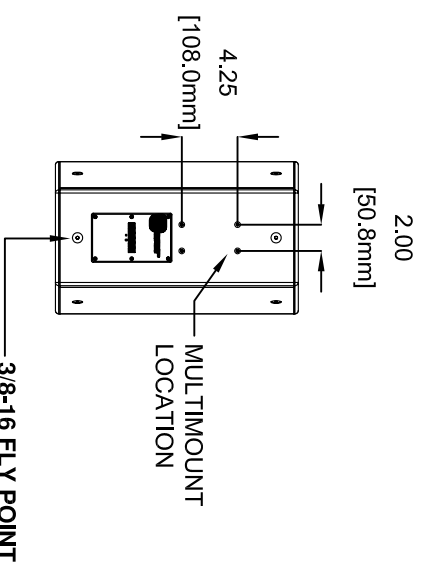
TOP



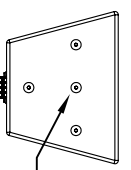
FRONT



SIDE



BACK



U BRACKET
MOUNTING LOCATION

BOTTOM

UNLESS OTHERWISE SPECIFIED		1. NO NET SCALE DRAWING 2. DIMENSIONS ARE IN INCHES AND MILLIMETERS		TOLERANCE X/X = ±1/64 XX = ±.03 XXX = ±.010 ANGULAR ±5°		SLS LOUDSPEAKERS 1650 W. JACKSON STREET DZARK, MISSOURI 65721 417-883-4549 Fax 417-883-2723	
MATERIAL	AS SPECIFIED	FINISH	✓	DRAWN BY	P. SPURLOCK	DATE	11/10/09
MECHANICAL SPECIFICATION	8190TV2-1 CABINET						
APPROVED BY		CHECKED BY		DWG. NO.	W-8190TV2-1	REV.	0
SCALE	1/1	SHEET	1 OF				1