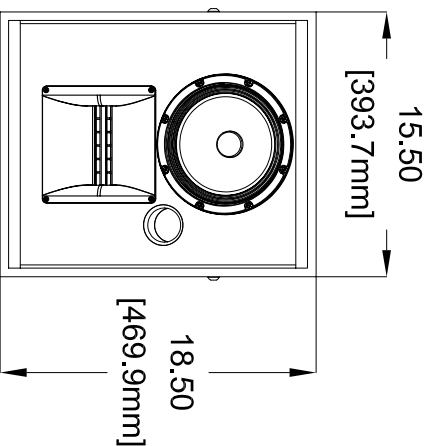
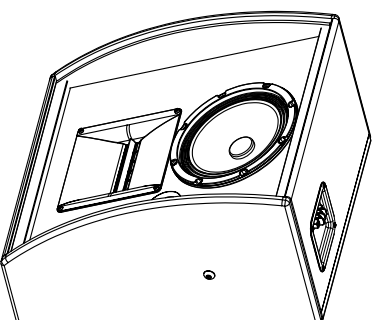
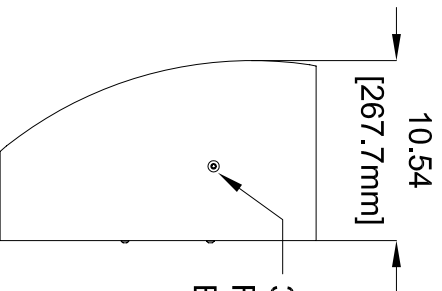


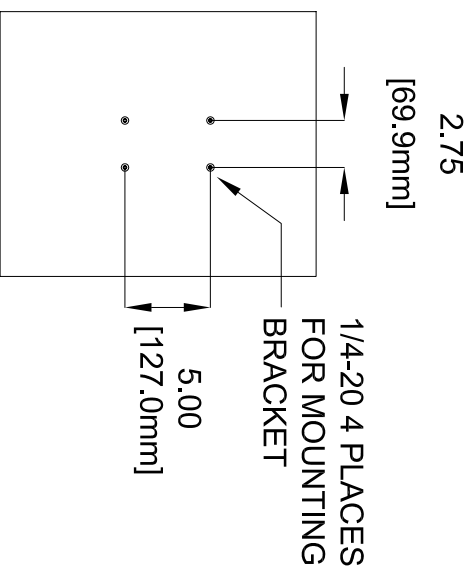
TOP



FRONT



SIDE



BACK

3/8-16 2 PLACES FOR MOUNTING BRACKET

UNLESS OTHERWISE SPECIFIED

1. NO NET SCALE DRAWING  
2. DIMENSIONS ARE IN INCHES AND MILLIMETERS

TOLERANCE

X/X = ±1/64

XX = ±.03

XXX = ±.010

ANGULAR ±.5°

MATERIAL

AS SPECIFIED

FINISH

✓

FINISH

AS SPECIFIED

DRAWN BY P. SPURLOCK

DATE 03/08/10

CHECKED BY

APPROVED BY

**SLS LOUDSPEAKERS**

1650 W. JACKSON STREET  
DZARK, MISSOURI 65721  
417-883-4549 Fax: 417-883-2723

MECHANICAL SPECIFICATION

CS890S-v3 CABINET

DWG. NO. W-CS890S-v3

REV. 0

SCALE 1/1

SHEET 1 OF 1