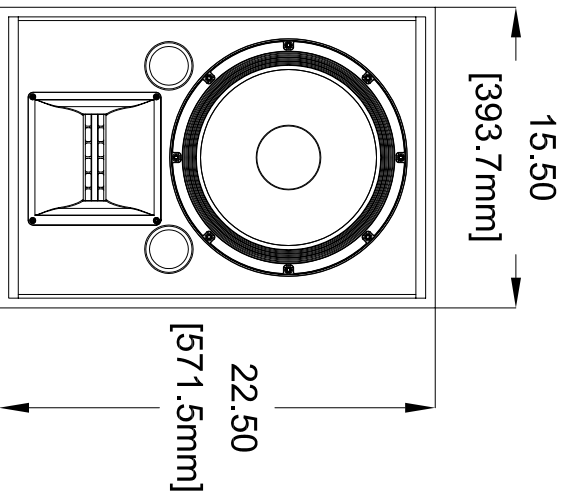
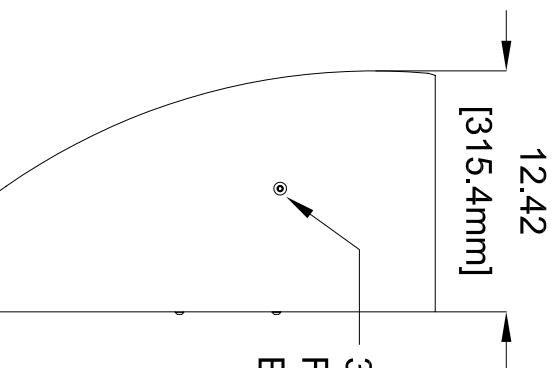


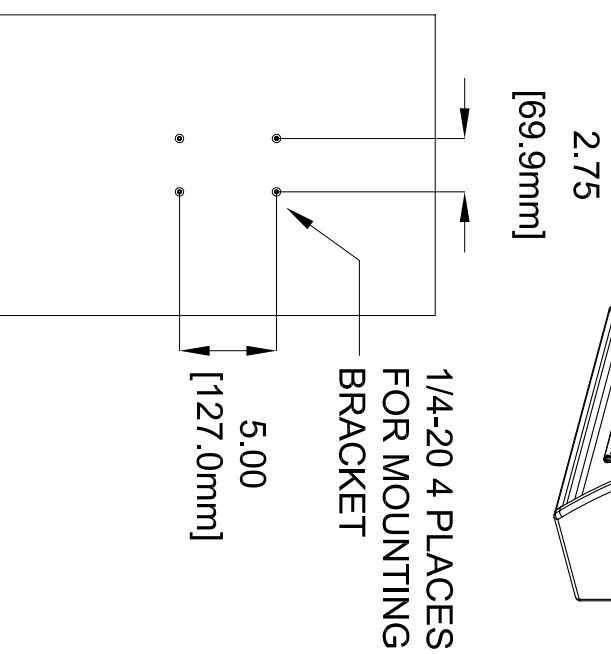
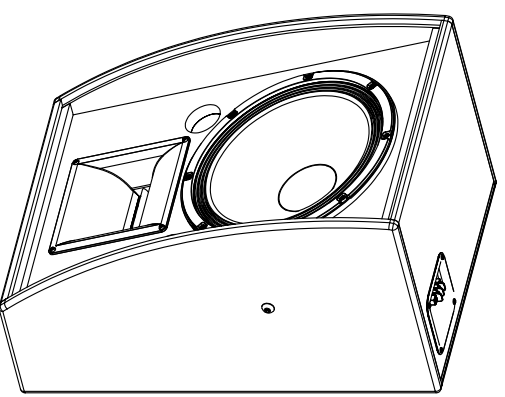
TOP



FRONT



SIDE



BACK

UNLESS OTHERWISE SPECIFIED

1. NO NET SCALE DRAWING  
2. DIMENSIONS ARE IN INCHES AND MILLIMETERS

TOLERANCE  
X/X = ±1/64  
XX = ±.03  
XXX = ±.010  
ANGULAR ±.5°

MATERIAL

AS SPECIFIED

FINISH

AS SPECIFIED

FINISH ✓

DRAWN BY P. SPURLOCK DATE 03/08/10

CHECKED BY

APPROVED BY

**SLS LOUDSPEAKERS**

1650 W. JACKSON STREET  
DZARK, MISSOURI 65721  
417-883-4549 / Fax: 417-883-2723

MECHANICAL SPECIFICATION

CS1290S CABINET

DWGNO. W-CS1290S

REV. 0

SCALE 1/1

SHEET 1 OF 1