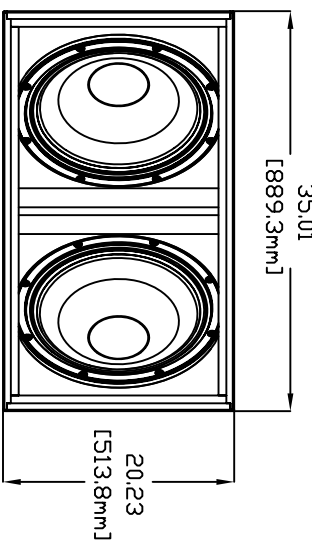
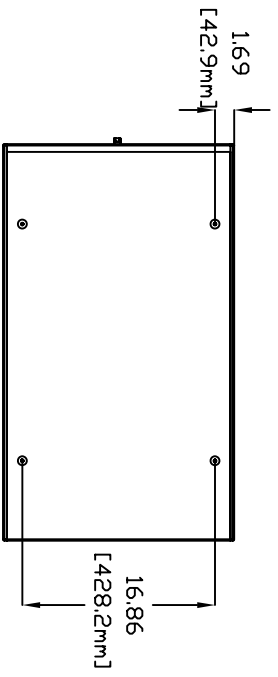


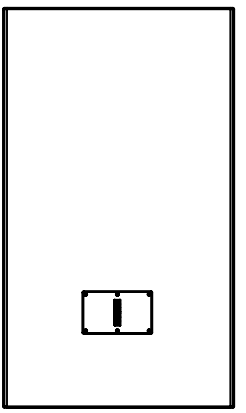
TOP



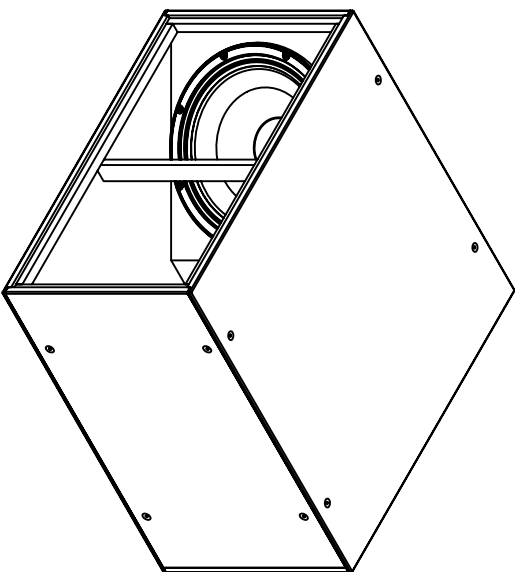
FRONT



SIDE



BACK



UNLESS OTHERWISE SPECIFIED

1. NO NET SCALE DRAWING
2. DIMENSIONS ARE IN INCHES AND MILLIMETERS

TOLERANCE
X/X = ±1/64
XX = ±.03
XXX = ±.010
ANGULAR ±5°

MATERIAL
AS SPECIFIED
FINISH
AS SPECIFIED

APPROVED BY

FINISH ✓

DRAWN BY P. SPURLOCK
CHECKED BY
DATE 05/24/11

AS SPECIFIED

SLS LOUDSPEAKERS

1650 W. JACKSON STREET
DZARK, MISSOURI 65721
417-883-4549 Fax: 417-883-2723

MECHANICAL SPECIFICATION

218-I CABINET

DWG. NO. W-218-I

SCALE 1/1 SHEET 1 OF 1 REV. 0