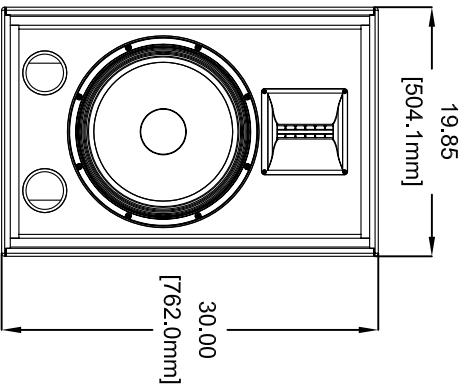
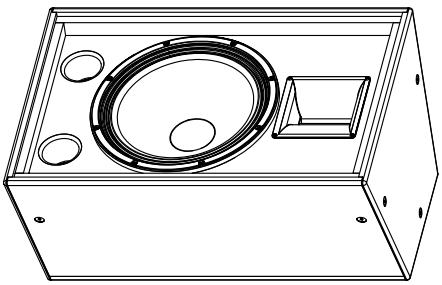
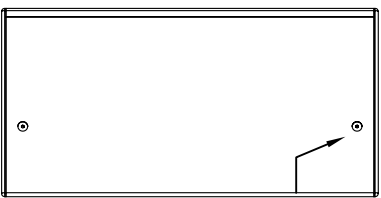


TOP

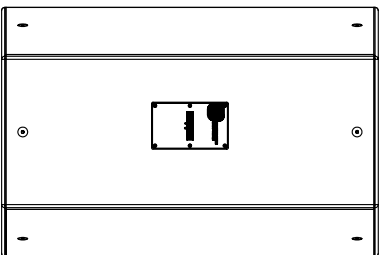


FRONT



3/8-16 FLY POINT

SIDE



BACK

UNLESS OTHERWISE SPECIFIED

1. NO NET SCALE DRAWING
2. DIMENSIONS ARE IN INCHES AND MILLIMETERS

TOLERANCE
X/X = ±1/64
XX = ±.03
XXX = ±.010
ANGULAR ±5°

MATERIAL AS SPECIFIED
FINISH AS SPECIFIED
DRAWN BY P. SPURLOCK
CHECKED BY
DATE 08/05/08
APPROVED BY

SLS LOUDSPEAKERS

1650 W. JACKSON STREET
DZARK, MISSOURI 65721
417-883-4549 Fax: 417-883-2723

MECHANICAL SPECIFICATION

1590T-I CABINET

DWG. NO. W-1590T-I REV. 0

SCALE 1/1 SHEET 1 OF 1