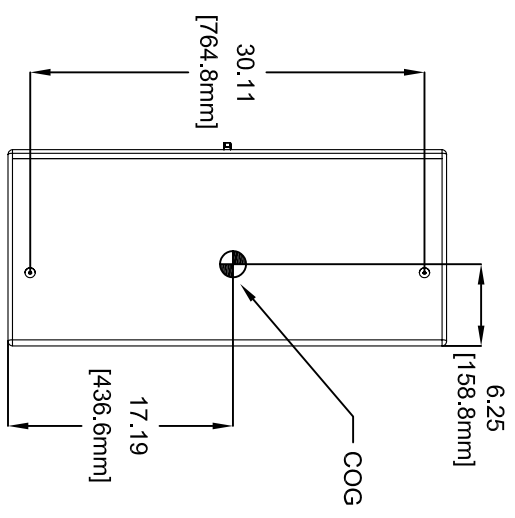
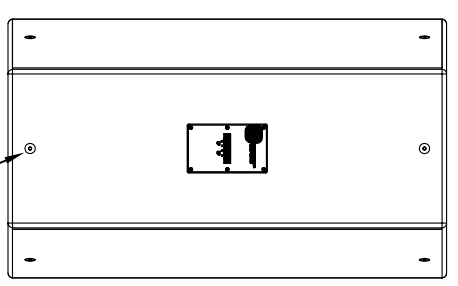


FRONT



SIDE



BACK

UNLESS OTHERWISE SPECIFIED		TOLERANCE	
1. NO NET SCALE DRAWING		X/X = ±1/64	
2. DIMENSIONS ARE IN INCHES AND MILLIMETERS		XX = ±.03	
		XXX = ±.010	
		ANGULAR ±5°	
MATERIAL	AS SPECIFIED	FINISH	✓
FINISH	AS SPECIFIED	DRAWN BY	P. SPURLOCK
AS SPECIFIED		CHECKED BY	
		DATE	07/18/08
		APPROVED BY	
MECHANICAL SPECIFICATION		1650 W. JACKSON STREET	
11SRT-I CABINET		DZARK, MISSOURI 65721	
		417-883-4549 Fax: 417-883-2723	
DWGNO.	W-11SRT-I	SCALE	1/1
REV.	0	SHEET	1 OF 1

SLS LOUDSPEAKERS

11SRT-I CABINET