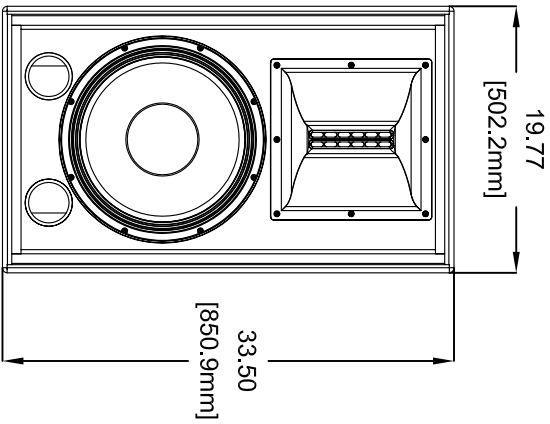
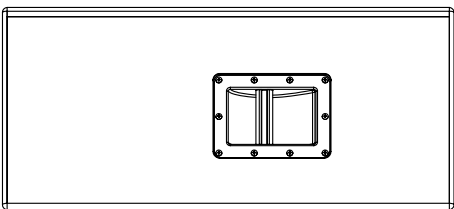


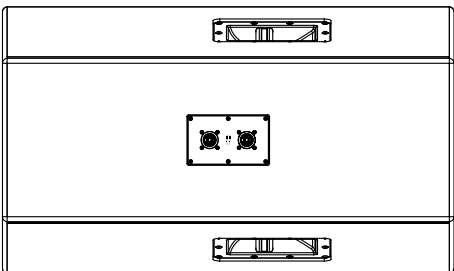
TOP



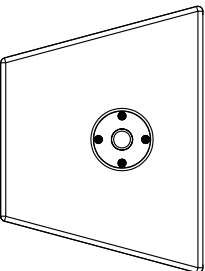
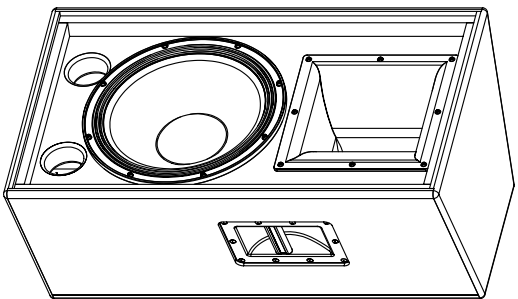
FRONT



SIDE



BACK



BOTTOM

UNLESS OTHERWISE SPECIFIED

1. NO NET SCALE DRAWING  
2. DIMENSIONS ARE IN INCHES AND MILLIMETERS

TOLERANCE  
X/X = ±1/64  
XX = ±.03  
XXX = ±.010  
ANGULAR ±.5°

MATERIAL AS SPECIFIED  
FINISH AS SPECIFIED

DRAWN BY P. SPURLOCK  
CHECKED BY  
APPROVED BY

DATE 08/08/08

**SLS LOUDSPEAKERS**

1650 W. JACKSON STREET  
DZARK, MISSOURI 65721  
417-883-4549 Fax 417-883-2723

MECHANICAL SPECIFICATION

11SRT CABINET

DWG. NO. W-11SRT

REV. 0

SCALE 1/1

SHEET 1 OF 1

1