



Product Technical Data Sheet

Model SP2000

Description

The SP2000 is a high SPL dual 18" portable subwoofer. It includes built in castors and skid plates for self contained portability. In addition, the skid plates provide stacking support by mating top to bottom when the SP2000 is stacked into ground clusters.

The SP2000 uses an integrated pole socket mount so any speaker with a pole mount type adaptor can be used with the subwoofer.

The very high power 18" drivers for the SP2000 use a Neo magnet structure and high-temperature voice coil with modern manufacturing techniques resulting in a very durable and efficient design.



Key Features:

- Ported front loaded high power driver design
- 13-ply Baltic Birch cabinet
- Extensive internal bracing
- Integrated sub to sub stacking support
- Built in castors and skid plates
- Built in pole socket mount

Product Specifications	
Operating Range ¹	33Hz - 200Hz
Sensitivity (1W/1M) ²	102dB
Power Handling ³	2000W (89 Volts) AES/2
Recommended Amp Power for Max Output	4000 Watts @ 4 ohms
Max SPL (calculated) 1 Meter	135dB Cont. / 141dB Peak
Nominal Impedance	4 Ohms
Transducers	2 x 18" Woofers
Input	NL4 x2 Pair 1 = Woofers 1 & 2
Dimensions	20.97" (53.3cm) H 38" (96.5cm) W 37.5" (95.3cm) D
Enclosure	13ply Baltic Birch
Weight	180lbs (81.7kg) Shipping 260lbs (117.9kg)
Rigging	None Provided
Finish Options	Black Latex

Applications

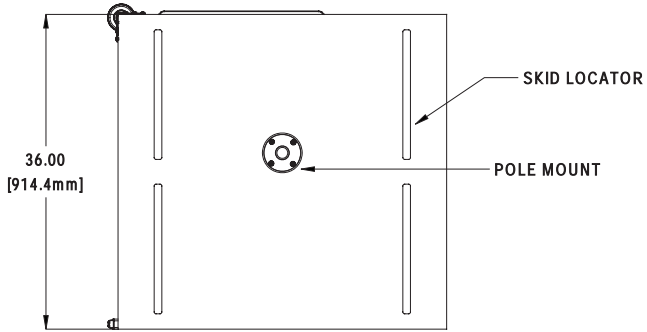
Developed for portable applications where integrated rigging and high level low frequency support is desired

- Portable PA
- Integrated pole socket
- Traditional ground stacked subwoofer clusters

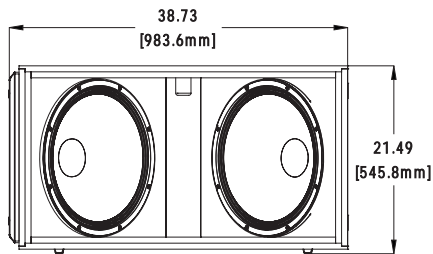
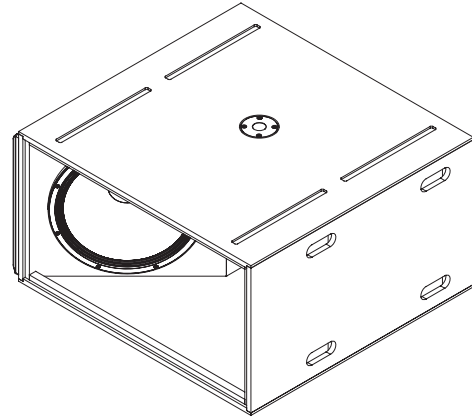
1. LF at -10dB
 2. Full bandwidth pink noise is applied and amplified to a level and measured at the loudspeaker terminals - corresponding to 1 Watt as referenced to the loudspeakers nominal impedance. SPL is measured in a half-space environment in the loudspeakers far field. Data is extrapolated to 1 Meters distance from the loudspeaker.
 3. AES established with ambient temperature at 22C in accordance with AES/2-1984 standard. IEC stated in RMS voltage according to IEC 268-5



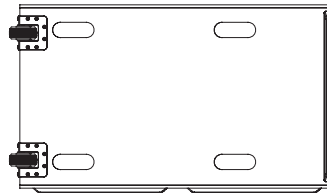
SP2000 Drawings



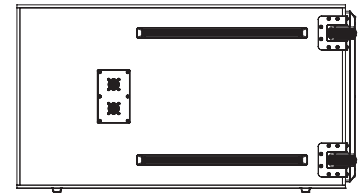
TOP



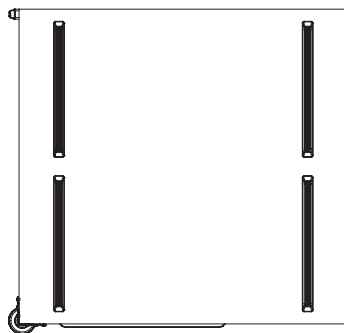
FRONT



SIDE



BACK



BOTTOM