
LS8695v2 / SP810 and PLS8695v2 / PSP810
System Assembly Guide



SUPERIOR LISTENING SYSTEMS
AUDIO CLARITY REDEFINED



SUPERIOR LISTENING SYSTEMS
AUDIO CLARITY REDEFINED

LS8695v2 / SP810 and PLS8695v2 / PSP810 Assembly Guide

Introduction

SLS line column rigging is designed to provide a quick method of attaching the columns and subwoofer together. This Guide serves as an overview and provides useful hints regarding construction. Please read in its entirety before assembling any rigging.

Safety Responsibilities and Liability

All information in this guide is meant only for the purpose of rigging the line columns and subwoofers together. All other rigging is considered part of the venue and/or end-user supplied equipment and is not addressed in this guide. SLS assumes that a working knowledge of accepted rigging practices and safety will be applied to all rigging materials and practices employed. This guide is not a comprehensive source for rigging in general. The user must assume all responsibility for the appropriate use of SLS supplied rigging hardware and follow at a minimum all applicable laws and regulations in force for each venue.

The weakest component determines the safety of the entire rigging assembly. Prior to assembling the column, always inspect all hardware components for wear, deformations, corrosion and missing or damaged parts.

No information contained in this guide is intended as a warranty on the part of SLS. Anyone using this information assumes all liability arising from its use. Product abuse, use of the product not in accordance with SLS instructions or use in an application which the product has not been designed for is not covered under any SLS warranty nor is SLS liable for any loss or damage.

Users in other countries should not assume that local regulations are based upon North American practices. Users should consult with local regulatory authorities for specific codes and/or guidelines.

Replacement Parts

All defective components should be replaced with an SLS approved part. Contact the factory directly at (417) 883-4549 to obtain approved replacement parts. SLS is not responsible for problems caused by using non SLS supplied parts for the SLS supplied portion of the rigging.



SUPERIOR LISTENING SYSTEMS
AUDIO CLARITY REDEFINED

LS8695v2 / SP810 and PLS8695v2 / PSP810 Assembly Guide

Attach Bottom Plates:

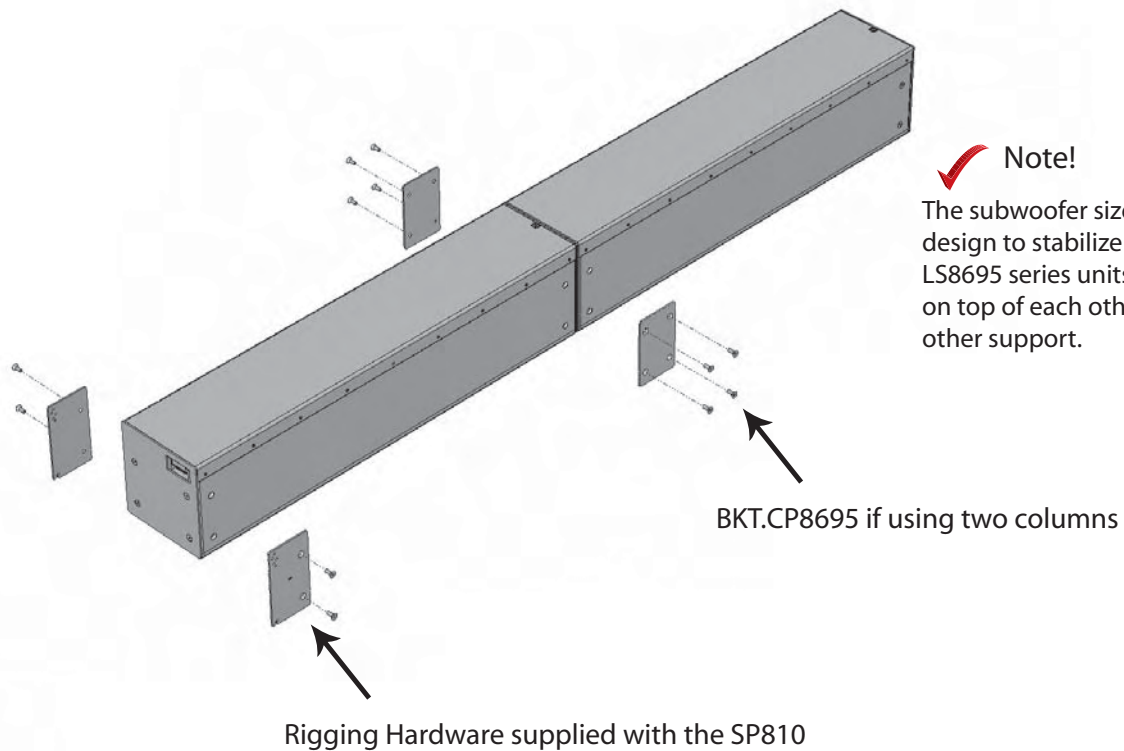
Remove the flat-head bolts from the two bottom position side panels.

Attach the supplied rigging hardware that came with the SP810 subwoofer as shown.

Attach Line Columns together (if using two):

If using (2) line columns, remove the flat-head bolts from the two bottom position side panels and the two top position side panels.

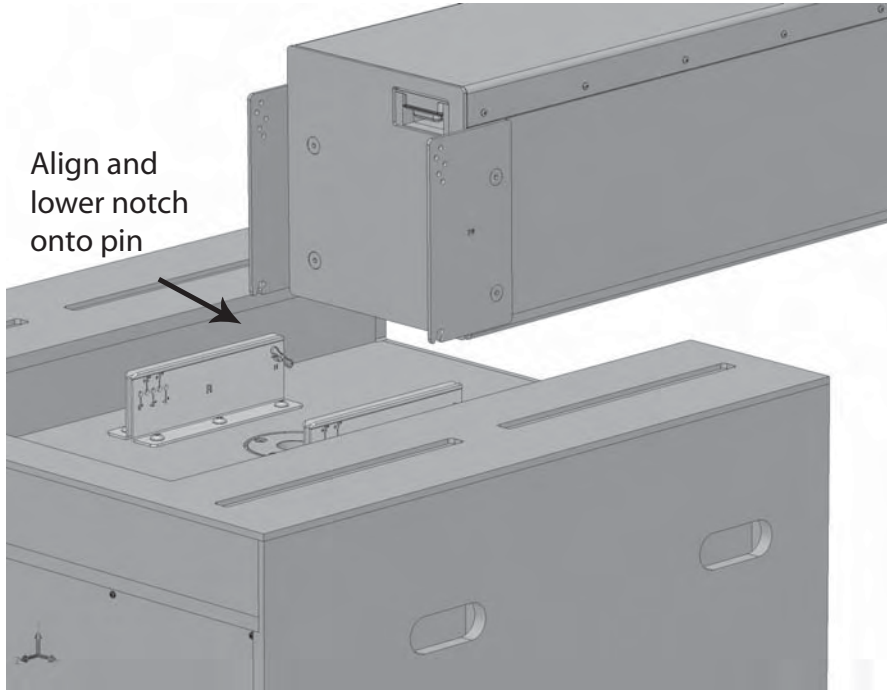
Attach the BKT.CP8695 bracket as shown on each side of the column.





SUPERIOR LISTENING SYSTEMS
AUDIO CLARITY REDEFINED

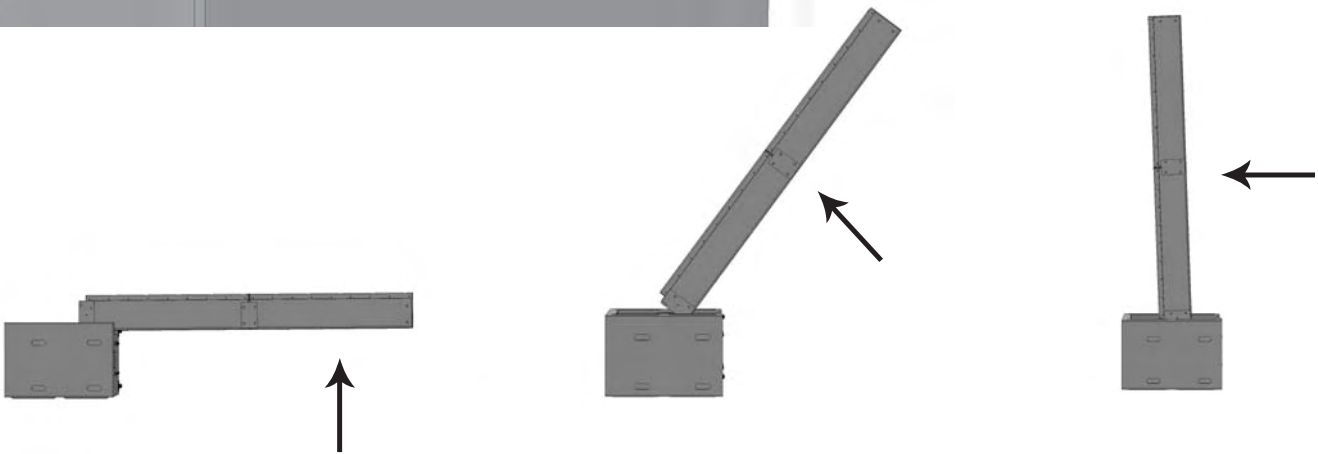
LS8695v2 / SP810 and PLS8695v2 / PSP810 Assembly Guide



Lift Column onto SP810 and rotate:

Using two people (four in the case of (2) columns) lift the LS8695v2 and place onto subwoofer as shown.

Rotate the column upright and secure with the supplied PLP pins at the desired angle position.



Pin into desired angle of operation

