

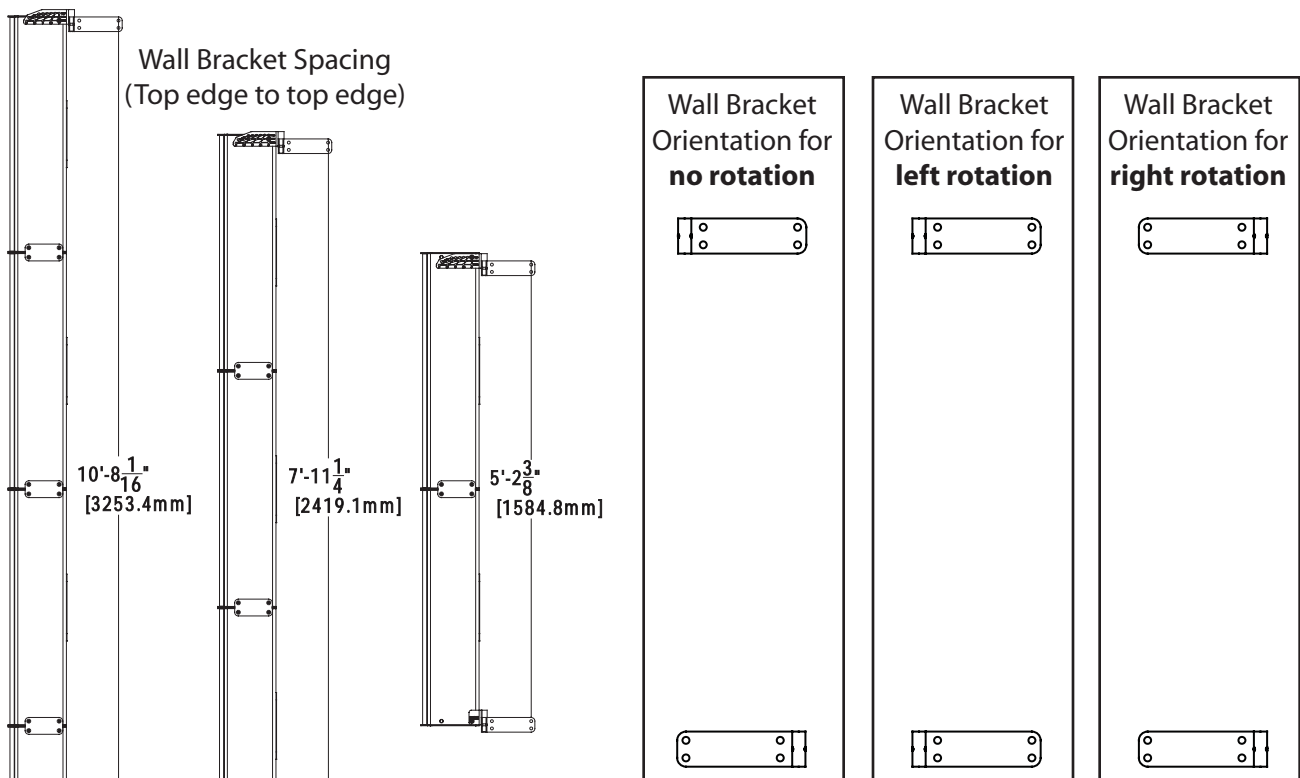


Using the BRK.LS6593v2 Wall Attachment Kit

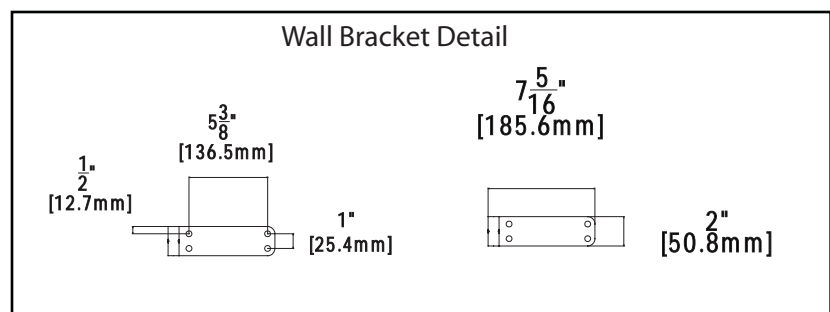
1. Determine the spacing needed between the top and bottom wall brackets based on how many LS6593v2 units are in the column. The dimensioning shown is from the top of each wall bracket.

IMPORTANT! If the entire column needs to be rotated to the left once installed, install the wall brackets so the attachment points are on the left side. If the array needs to be rotated to the right, install the wall brackets so the attachment points are on the right side. If the array does not need to be rotated, install the top wall bracket to the left and the bottom wall bracket to the right. This will “lock” the array into a straight position without relying on a set screw to maintain position.

2. Assemble the LS6593v2 units into the column using the supplied coupling plates.

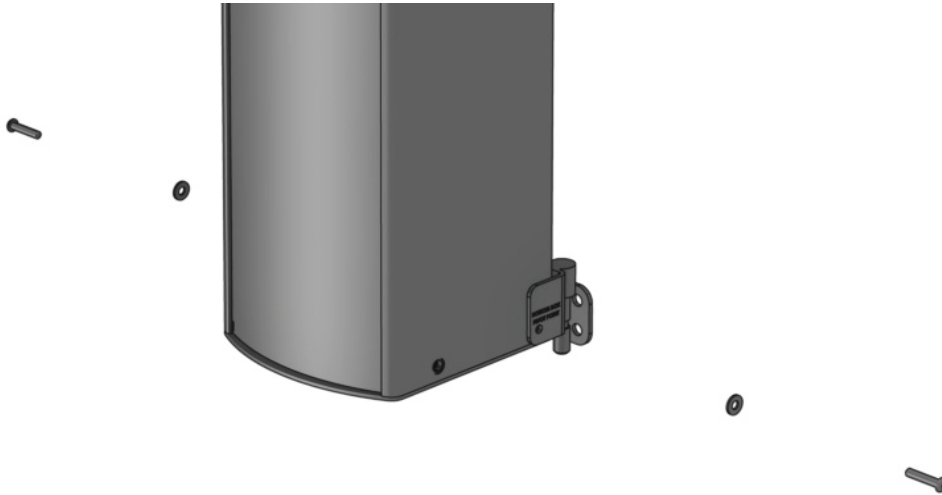


The LS6593v2 speakers shown are rotated horizontally 90 degrees to the left in order to show the bracket spacing on the wall

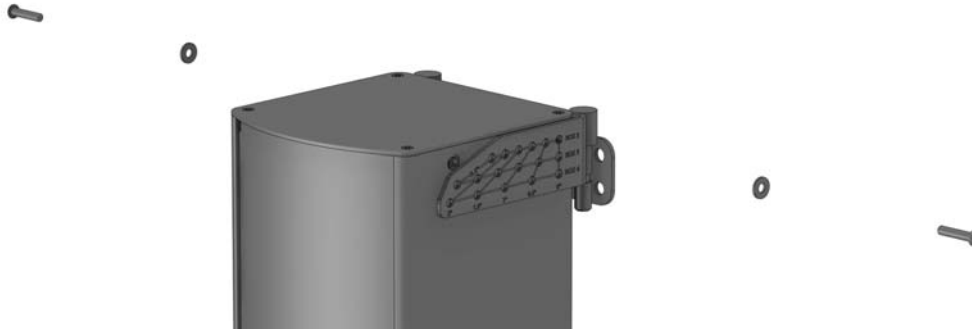




3. Install the bottom bracket on the bottom LS6593v2 in the array as shown. Leave it slightly loose if the column is going to have any down angle so it can be used as a rotation point.

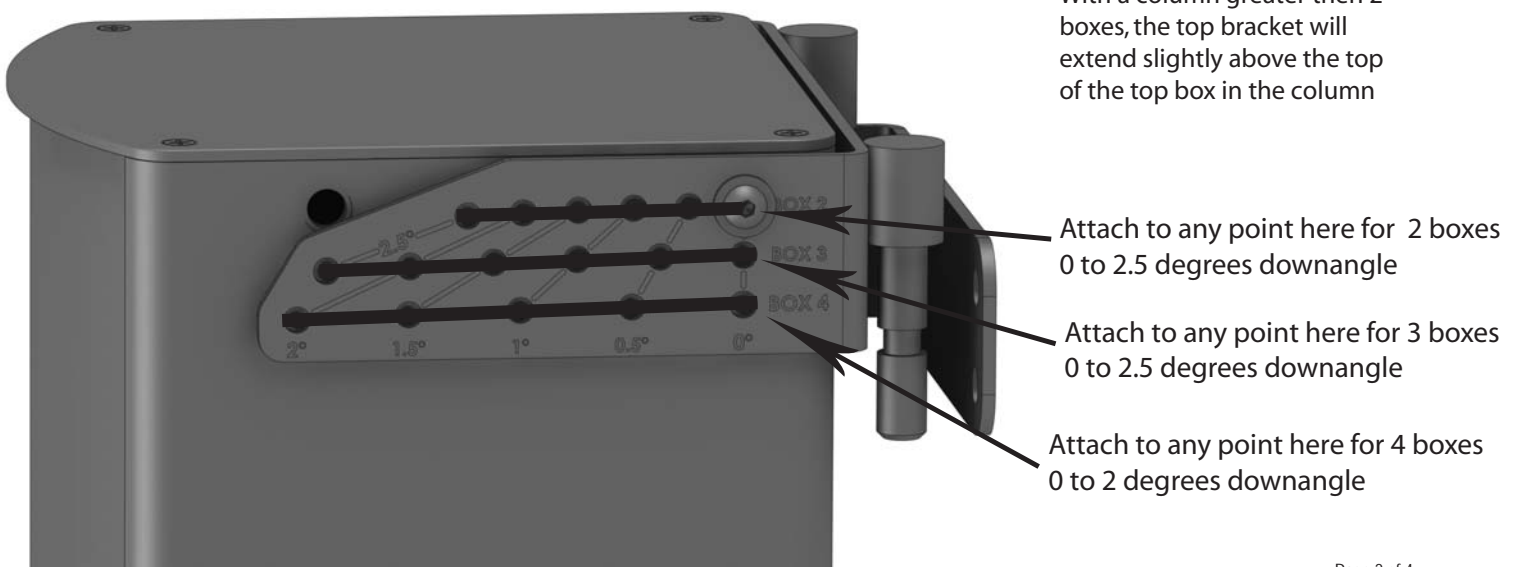


4. Install the top bracket on the top LS6593v2 in the array. Determine the appropriate attachment point by how many boxes are in the column, then on the desired down angle of the entire column.



 **Note!**

With a column greater than 2 boxes, the top bracket will extend slightly above the top of the top box in the column



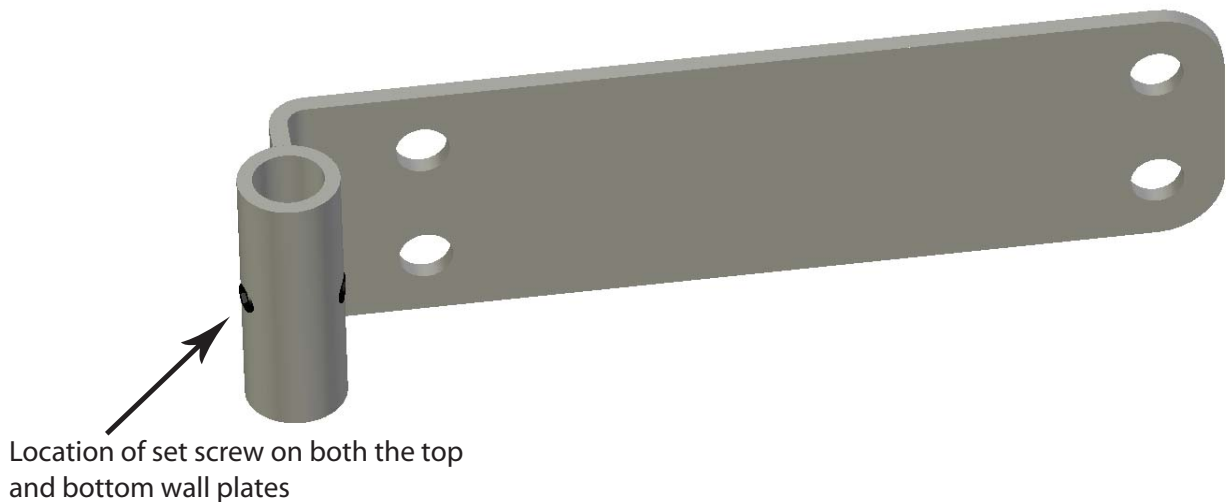


5. Lift the entire assembled LS6593v2 column and gently place onto the wall brackets already attached to the wall surface. Only two of the four posts on the back of the column will drop into the wall bracket holes. Tighten the bottom bracket to the speaker (used as the rotation point).



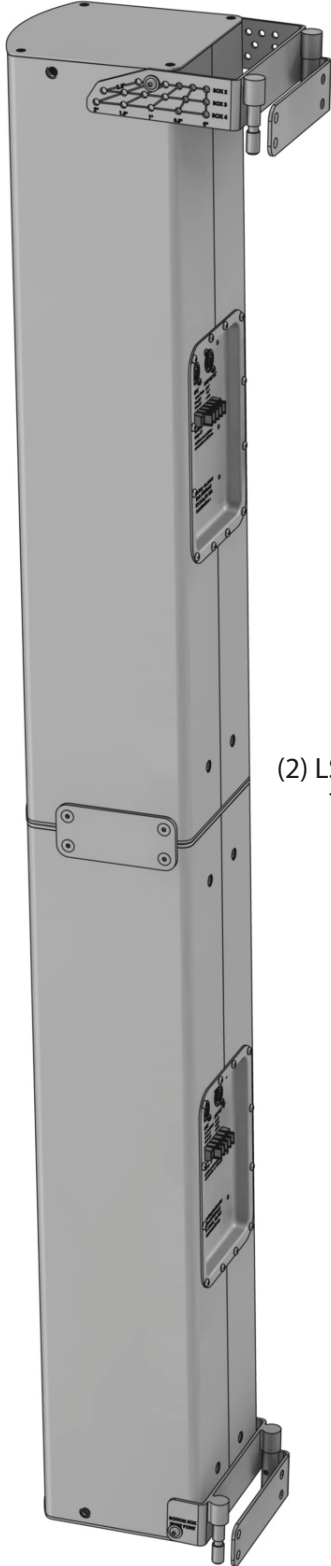
This post is not used. This example column will rotate to the left only.

6. Rotate the column horizontally into the desired position and tighten the set screws on both the top and the bottom.

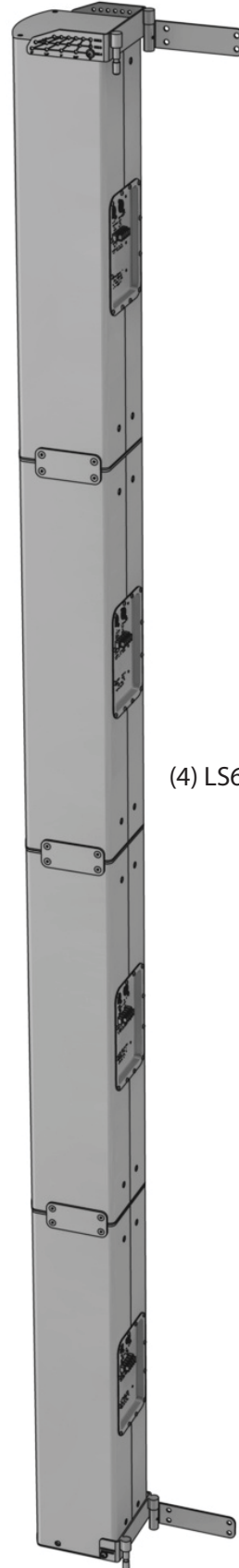




Typical Examples



(2) LS6593v2 with a 2 degree down angle
This array could rotate to the left



(4) LS6593v2 rotated 90 degrees