



Product Technical Data Sheet

Model CS850S

Description

The CS850S is a high quality 8" coax two-way passive design. It serves as a surround sound source module for small to medium size theaters.

The CS850S high frequency section features a coax mounted 3" planar ribbon transducer. The unique design and properties of the planar ribbon driver allows for a very clear delivery and transient accuracy even at the limits of its performance.

The CS850S contains an audiophile grade crossover delivering smooth response and consistent polar patterns throughout the crossover region.



Key Features:

- 3" ribbon high frequency driver delivers unsurpassed sound quality
- Open and clear sound at high SPL due to advanced transducer technology
- Small format

Applications

Developed for high performance cinema applications where the highest quality and intelligibility of sound is required

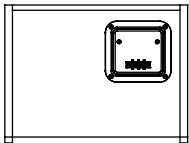
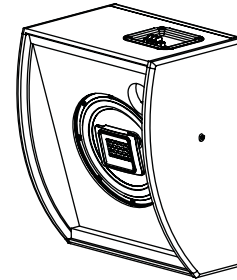
- Surround Source

Product Specifications	
Operating Range	53Hz - 30,000Hz
Sensitivity (1W/1M) ¹	90dB
Horizontal Coverage Angle -6dB ²	110 Degrees
Vertical Coverage Angle -6dB ²	90 Degrees
Power Handling ³	75W (24 Volts) AES/2
Recommended Amp Power for Max Output	150 Watts @ 8 ohms
Max SPL (calculated) 1 Meter	109dB Cont. / 115dB Peak
Nominal Impedance	8 Ohms
Crossover Frequency	2500Hz
Transducers - Low Freq.	8" Woofer
High Freq.	Coax 3" Ribbon
Input	Barrier Strip
Dimensions	15.5" (39.4cm) H 12" (30.5cm) W 9" (23cm) D Top 4.3" (10.9cm) D Bottom
Enclosure	Baltic Birch
Weight	17lbs (7.7kg) Shipping 21.5lbs (9.75kg)
Rigging	Attachment Points for 3rd Party Brackets
Finish	Flat Black Latex

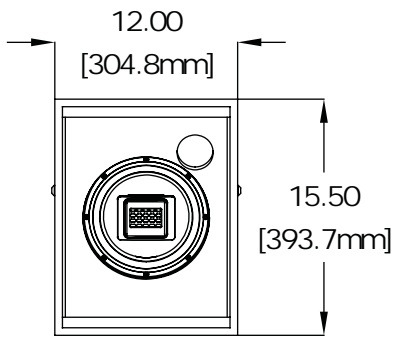
1. Full bandwidth pink noise is applied and amplified to a level and measured at the loudspeaker terminals - corresponding to 1 Watt as referenced to the loudspeakers nominal impedance. SPL is measured in an anechoic environment in the loudspeakers far field. Data is extrapolated to 1 Meters distance from the loudspeaker.
2. Averaged from 500Hz to 8kHz
3. Conforms to AES2-1984 (r1997) method



CS850S Drawings

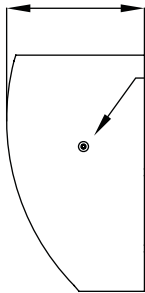


TOP



FRONT

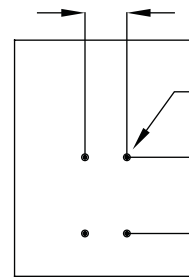
9.04
[229.7mm]



SIDE

3/8-16 2 PLACES
FOR MOUNTING
BRACKET

2.75
[69.9mm]



BACK

1/4-20 4 PLACES
FOR MOUNTING
BRACKET

5.00
[127.0mm]