



Product Technical Data Sheet
Model CS1290S

Description

The CS1290S is a high quality single 12" two-way passive design. It serves as a surround sound source module for larger theaters.

The CS1290S high frequency section features a high performance PRD500 planar ribbon transducer designed and manufactured by SLS Loudspeakers. The unique design and properties of the planar ribbon driver allows for a very clear delivery and transient accuracy even at the limits of its performance. The PRD500 is contained within a 90 degree die cast aluminum waveguide rotated so that the 90 degree pattern is in the vertical plane.

The CS1290S contains an audiophile grade crossover delivering smooth response and consistent polar patterns throughout the crossover region.



Key Features:

- PRD500 ribbon high frequency driver delivers unsurpassed sound quality
- Open and clear sound at high SPL due to advanced transducer technology
- Large Format Surround for larger theaters

Applications

Developed for high performance cinema applications where the highest quality and intelligibility of sound is required

- Surround Source

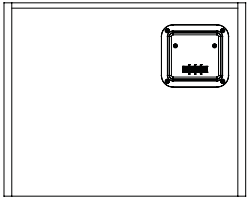
Product Specifications	
Operating Range	52Hz - 30,000Hz
Sensitivity (1W/1M) ¹	96dB
Horizontal Coverage Angle -6dB ²	40 Degrees
Vertical Coverage Angle -6dB ²	90 Degrees
Power Handling ³	250W (45 Volts) AES/2
Recommended Amp Power for Max Output	500 Watts @ 8 ohms
Max SPL (calculated) 1 Meter	120dB Cont. / 126dB Peak
Nominal Impedance	8 Ohms
Crossover Frequency	1500Hz
Transducers - Low Freq.	12" Woofer
High Freq.	PRD500 Ribbon
Input	Barrier Strip
Dimensions	22.5" (57cm) H
	15.5 (39.4cm) W
	12.42" (31.5cm) D Top
	6.21" (15.8cm) D Bottom
Enclosure	Baltic Birch
Weight	33.5lbs (15.2kg) Shipping 39.5lbs (17.9kg)
Rigging	Attachment Points for 3rd Party Brackets
Finish	Flat Black Latex

1. Full bandwidth pink noise is applied and amplified to a level and measured at the loudspeaker terminals - corresponding to 1 Watt as referenced to the loudspeakers nominal impedance. SPL is measured in an anechoic environment in the loudspeakers far field. Data is extrapolated to 1 Meters distance from the loudspeaker.
2. Averaged from 500Hz to 8kHz
3. Conforms to AES2-1984 (r1997) method

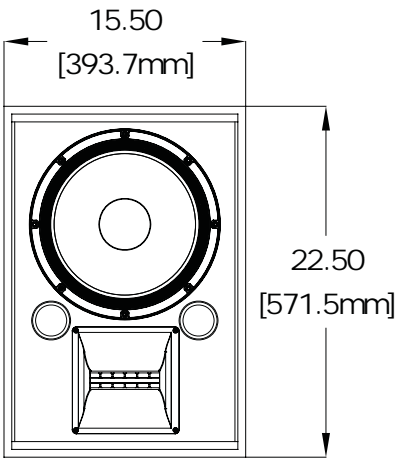
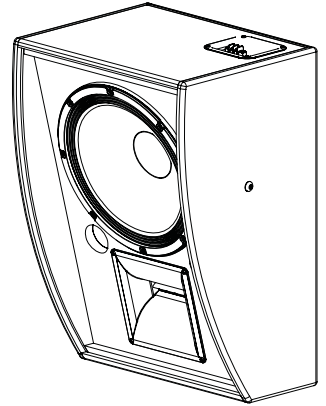


SUPERIOR LISTENING SYSTEMS
AUDIO CLARITY REDEFINED

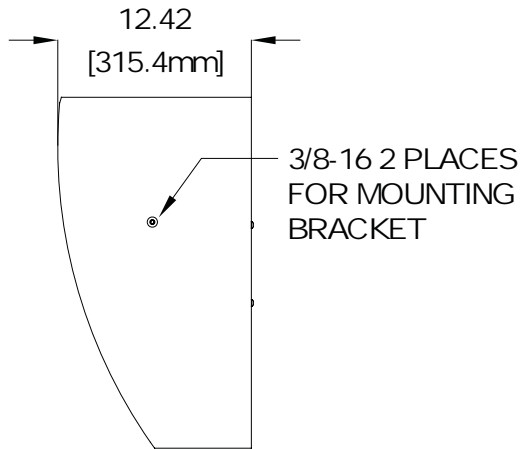
CS1290S Product Drawings



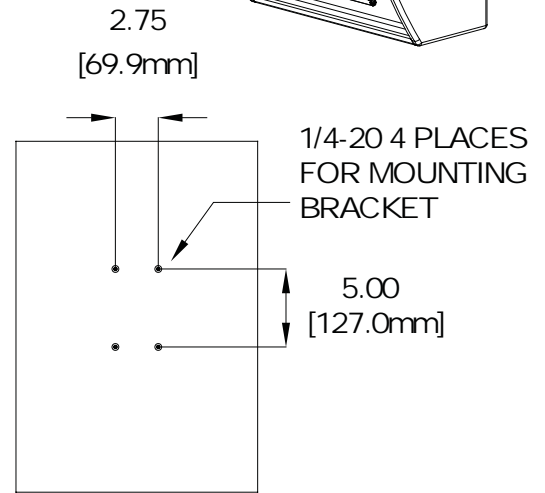
TOP



FRONT



SIDE



BACK