



Product Technical Data Sheet
Model CS118XEL

Description

The CS118XEL is a single 18" subwoofer. It is a high performance front loaded vented box design with maximized low frequency extension.

The 18" driver used in the CS118XEL uses a Neo magnet structure, a high-temperature voice coil and is rated at 1000W RMS.



Key Features:

- Ported front loaded driver design for high sensitivity and transient response
- Extended low frequency response
- 13-ply Baltic Birch cabinets
- Extensive internal bracing
- 1000W RMS 18" Driver

Product Specifications	
Operating Range	29Hz - 200Hz
Sensitivity (1W/1M) ¹	99dB
Power Handling ²	1000W (89 Volts) AES/2
Recommended Amp Power for Max Output	2000 Watts @ 8 ohms
Max SPL (calculated) 1 Meter	129dB Cont. / 135dB Peak
Nominal Impedance	8 Ohms
Transducer	18" Woofer
Input	5-Way Binding Post
Dimensions	30" (76cm) H 25" (64cm) W 27.47" (70cm) D
Enclosure	13ply Baltic Birch
Weight	98lbs (44.5kg) Shipping 129lbs (58.5kg)
Finish	Flat Black Latex

Applications

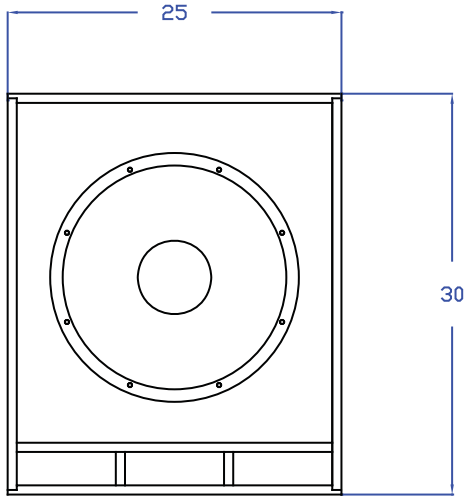
Developed for high performance cinema applications where the highest quality and intelligibility of sound is required

- Cinema Systems extreme low frequency support

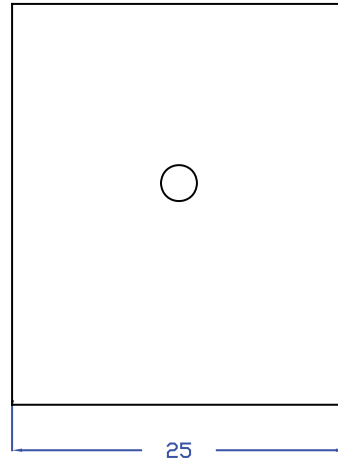
1. Full bandwidth pink noise is applied and amplified to a level and measured at the loudspeaker terminals - corresponding to 1 Watt as referenced to the loudspeakers nominal impedance. SPL is measured in a half space environment in the loudspeakers far field. Data is extrapolated to 1 Meters distance from the loudspeaker.
2. AES established with ambient temperature at 22C in accordance with AES/2-1984 standard.



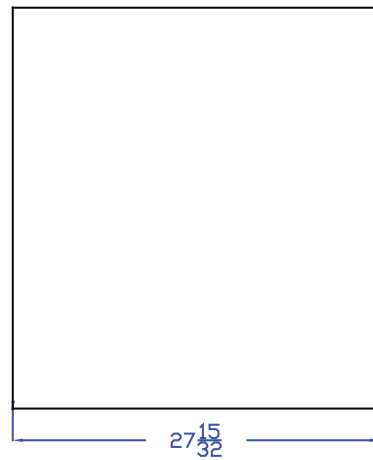
CS118XEL Drawings



Front



Back



Side