



Product Technical Data Sheet

Model CS118

Description

The CS118 is a single 18" subwoofer. It serves as a high performance ported box design contained in the smallest box size possible while still providing excellent low frequency extension.

The 18" driver for the CS118 use a Neo magnet structure and a high-temperature voice coil.



Key Features:

- 13-ply Baltic Birch cabinets
- Substantial internal bracing
- Front loaded driver and ports for placement close to back wall

Product Specifications	
Operating Range	38Hz - 400Hz
Sensitivity (1W/1M) ¹	99dB
Power Handling ²	500W (64 Volts) AES/2
Recommended Amp Power for Max Output	1000 Watts @ 8 ohms
Max SPL (calculated) 1 Meter	126dB Cont. / 132dB Peak
Nominal Impedance	8 Ohms
Transducer	18" Woofer
Input	5-Way Binding Post
Dimensions	25" (64cm) H
	25" (64cm) W
	25.3" (65cm) D
Enclosure	13ply Baltic Birch
Weight	63lbs (28.6kg) Shipping 96lbs (43.5kg)
Finish	Flat Black Latex

Applications

Developed for high performance cinema applications where the highest quality and intelligibility of sound is required

- Cinema Systems Low Frequency Support

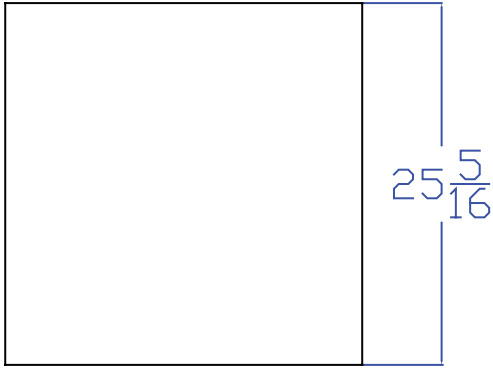
1. Full bandwidth pink noise is applied and amplified to a level and measured at the loudspeaker terminals - corresponding to 1 Watt as referenced to the loudspeakers nominal impedance. SPL is measured in a half space environment in the loudspeakers far field. Data is extrapolated to 1 Meters distance from the loudspeaker.

2. AES established with ambient temperature at 22C in accordance with AES/2-1984 standard.

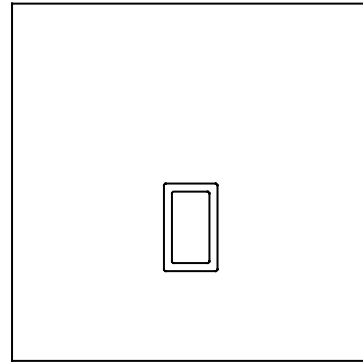


SUPERIOR LISTENING SYSTEMS
AUDIO CLARITY REDEFINED

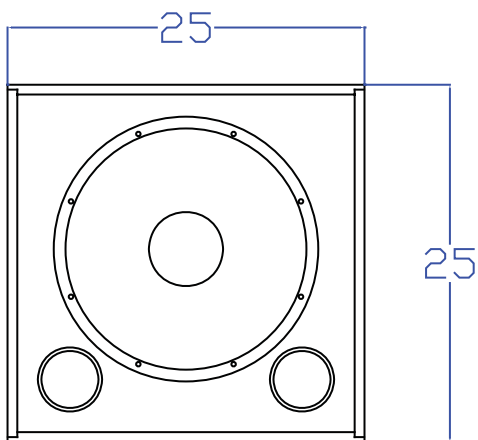
CS118 Drawings



Top



Back



Front