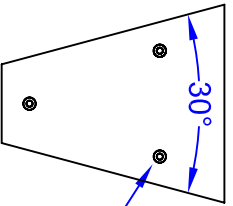
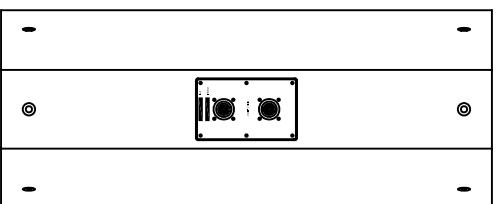
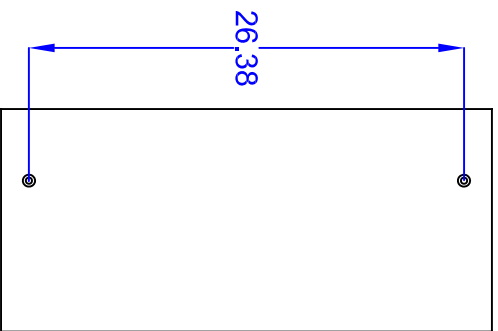
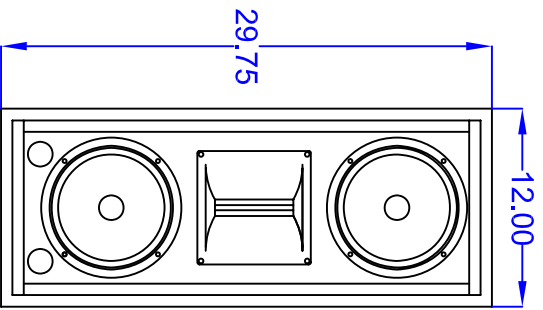
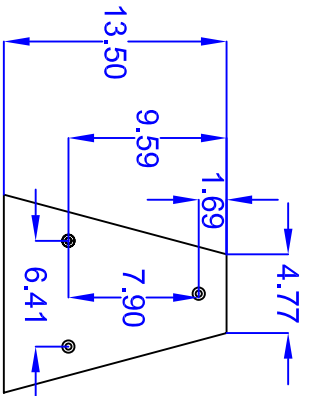


REVISIONS						
REV	DESCRIPTION	ECN	DATE	DFTSMN	CHK	APPR
01						
02						



3/8-16 FLY POINT
12 PLCS.

UNLESS OTHERWISE SPECIFIED

1:10 NOT SCALE DRAWING
2 DIMENSIONS ARE IN INCHES

MATERIAL

AS SPECIFIED

FINISH

AS SPECIFIED

TOLERANCE

X/X = ±1/64
XX = ±03
.XXX = ±.000
ANGULAR ±5°

FINISH

✓

DRAWN BY

P. SPURLOCK

DATE

02/14/05

CHECKED BY

APPROVED BY

SLS LOUDSPEAKERS

1650 W. Jackson
Dorick, MD 65721
417-883-4549 Fax: 417-883-2723

MECHANICAL SPECIFICATIONS

T28R-1 CABINET

DWGNO. T28R-1

REV. 0

SCALE 1/1

SHEET 1 OF 1