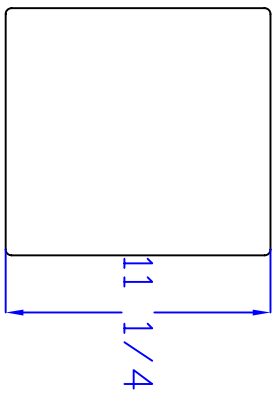
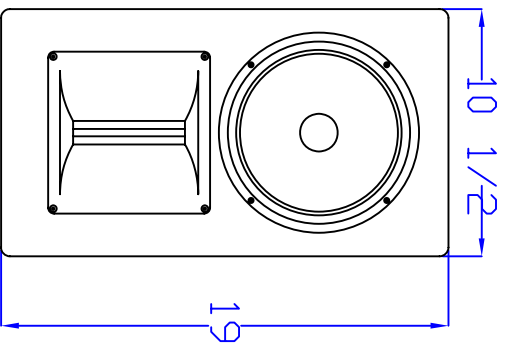


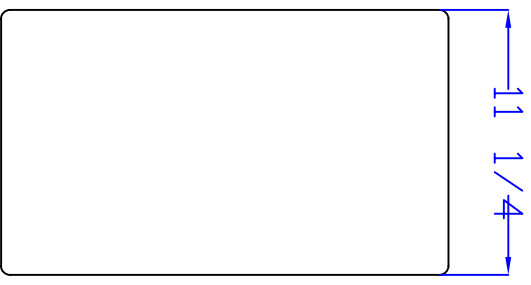
REVISIONS						
REV	DESCRIPTION	ECN	DATE	DFTSMN	CHK	APPR
01						
02						



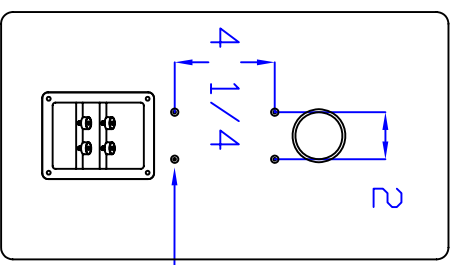
TOP



FRONT



SIDE



BACK

BHSCS 1/4-20 4 PLCS.

UNLESS OTHERWISE SPECIFIED		TOLERANCE		SLS LOUDSPEAKERS 1650 W. JACKSON DZARK, MD 65721 417-883-4549 Fax: 417-883-2723	
1:10 NOT SCALE DRAWING 2: DIMENSIONS ARE IN INCHES		X/X = ±1/64 XX = ±.03 XXX = ±.010 ANGULAR ±5°			
MATERIAL		FINISH		MECHANICAL SPECIFICATION S8R CABINET	
AS SPECIFIED		✓			
FINISH		DRAWN BY		DATE	
AS SPECIFIED		P. SPURLOCK		06/23/05	
CHECKED BY		APPROVED BY		SCALE 1/1	
				SHEET 1 OF 1	
				REV. 0	