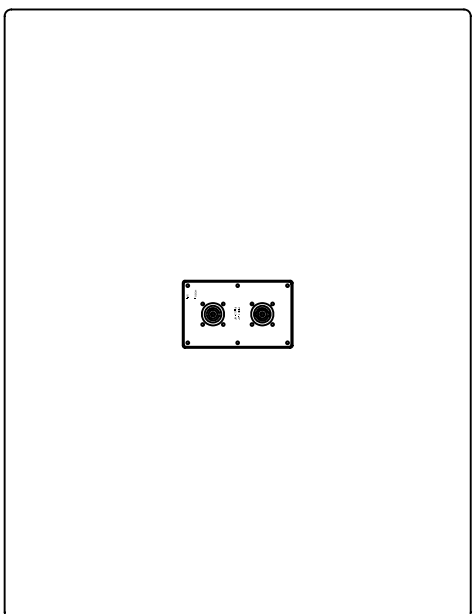
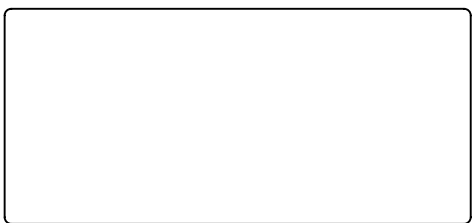
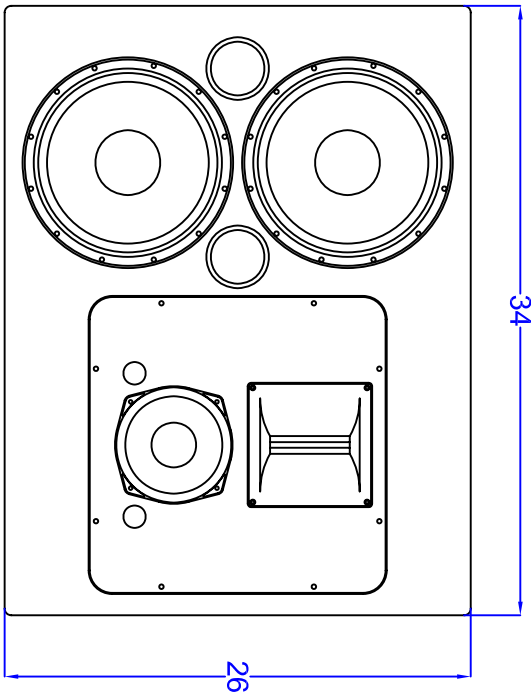
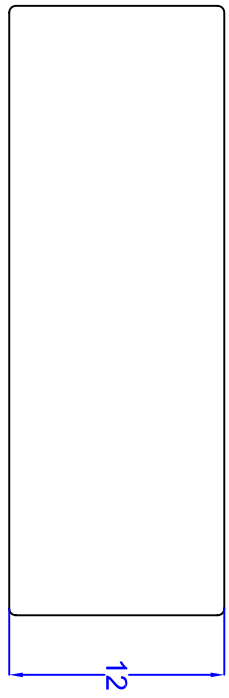


REVISIONS						
REV	DESCRIPTION	ECN	DATE	DFTSMN	CHK	APPR
01						
02						



UNLESS OTHERWISE SPECIFIED		TOLERANCE		MECHANICAL SPECIFICATION	
1:10 NOT SCALE DRAWING DIMENSIONS ARE IN INCHES		X/X = ±1/64 XX = ±.03 XXX = ±.010 ANGULAR ±.5°		SLS LOUDSPEAKERS 1650 W. Jackson Dzark, MD 65721 417-883-4549 Fax: 417-883-2723	
MATERIAL	AS SPECIFIED	FINISH	✓	S1065 CABINET	
FINISH	AS SPECIFIED	DRAWN BY	P. SPURLOCK	DATE	06/23/05
	AS SPECIFIED	CHECKED BY		DWGNO.	S1065
		APPROVED BY		SCALE	1/1
				SHEET	1 OF 1
				REV.	0