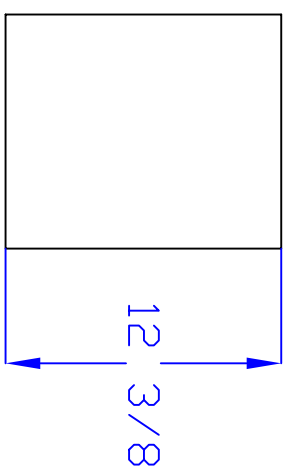
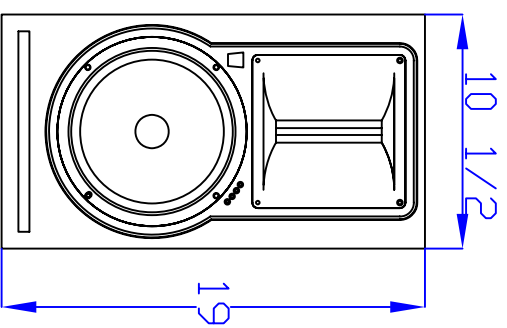


REVISIONS						
REV	DESCRIPTION	ECN	DATE	DFTSMN	CHK	APPR
01						
02						



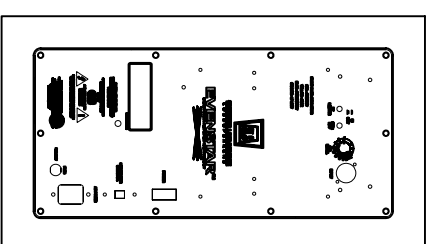
**TOP**



**FRONT**



**SIDE**



**BACK**

UNLESS OTHERWISE SPECIFIED		TOLERANCE		SLS LOUDSPEAKERS	
1:10 NOT SCALE DRAWING DIMENSIONS ARE IN INCHES		X/X = ±1/64		1650 W. Jackson	
MATERIAL		.XX = ±.03		Dzark, MD 65721	
AS SPECIFIED		.XXX = ±.010		417-883-4549 Fax: 417-883-2723	
FINISH		ANGULAR ±.5°		MECHANICAL SPECIFICATIONS	
AS SPECIFIED		FINISH ✓		PS8R CABINET	
DRAWN BY		DATE		DVGND.	
P. STURLOK		09/02/05		PS8R	
CHECKED BY				SCALE 1/1	
APPROVED BY				SHEET 1 OF 1	
				REV. 0	