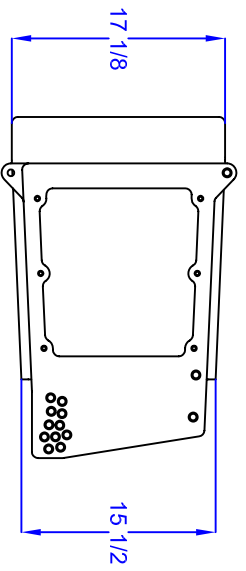
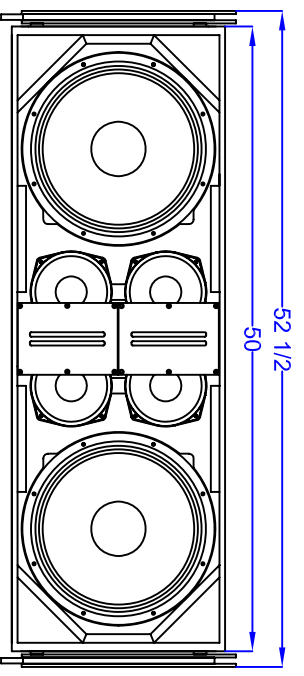
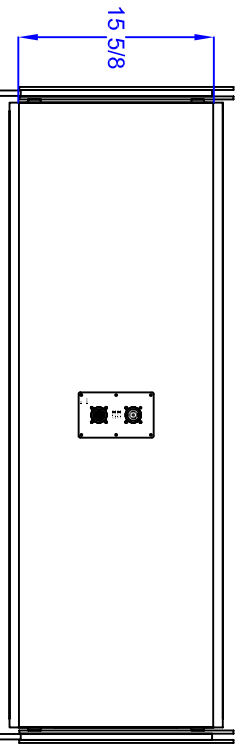
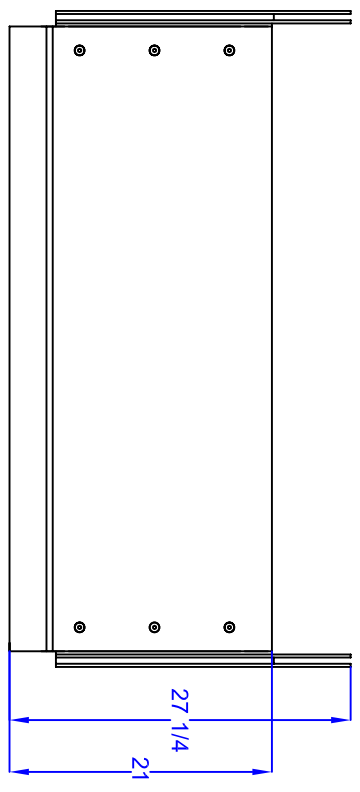


REVISIONS						
REV	DESCRIPTION	ECN	DATE	DFTSMN	CHK	APPR
01						
02						



UNLESS OTHERWISE SPECIFIED		TOLERANCE		SLS LOUDSPEAKERS 1650 W. Jackson Ozark, MD 65721 417-883-4549 Fax: 417-883-2723	
1:10 NOT SCALE DRAWING DIMENSIONS ARE IN INCHES		X/X = ±1/64 XX = ±.03 XXX = ±.010 ANGULAR ±.5°			
MATERIAL		FINISH		MECHANICAL SPECIFICATION	
AS SPECIFIED		✓		LS9900 CABINET	
DRAWN BY P. STURLOCK		DATE 06/09/05		DVGND. LS9900	
CHECKED BY				SCALE 1/1	
APPROVED BY				SHEET 1 OF 1	
				REV. 0	