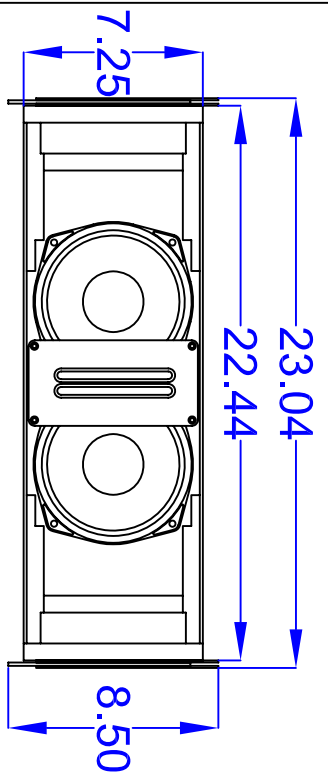
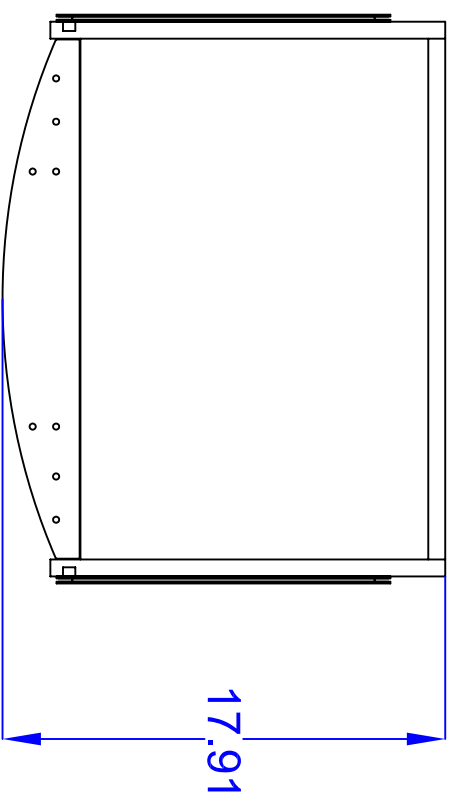
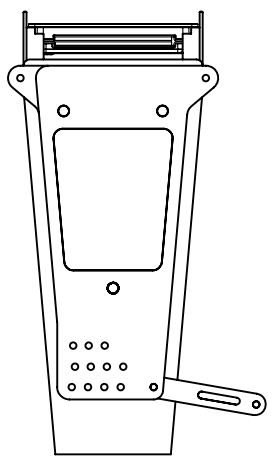


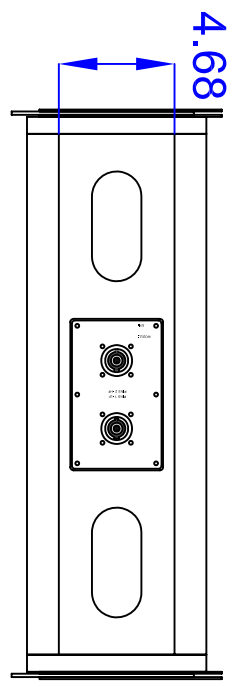
REVISIONS						
REV	DESCRIPTION	ECN	DATE	DFTSMN	CHK	APPR
01						
02						



FRONT



SIDE



BACK

UNLESS OTHERWISE SPECIFIED		TOLERANCE		<b>SLS LOUDSPEAKERS</b> 1650 W. Jackson Ozark, MISSOURI 65807 417-883-4549 Fax: 417-883-2723	
1:10 NOT SCALE DRAWING DIMENSIONS ARE IN INCHES		X/X = ±1/64 XX = ±.03 XXX = ±.010 ANGULAR ±.5°		<b>MECHANICAL SPECIFICATION</b> LS7500 CABINET	
MATERIAL	AS SPECIFIED	FINISH	✓	DRAWN BY	DATE
FINISH	AS SPECIFIED			P. SPURLOCK	06/10/05
		CHECKED BY		DWGNO.	LS7500
		APPROVED BY		SCALE	1/1
				SHEET	1 OF 1
				REV.	0