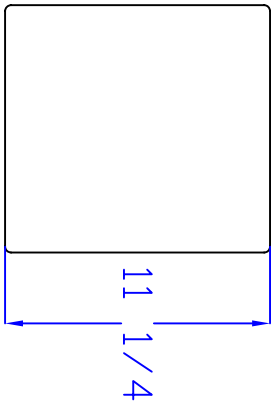
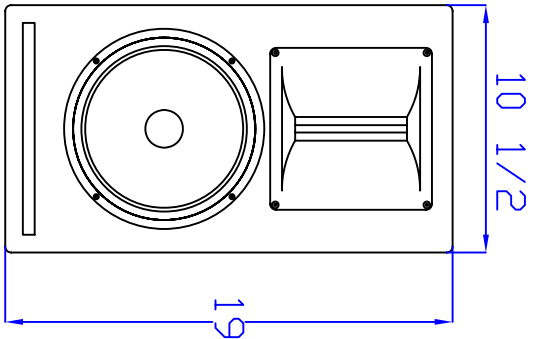


REVISIONS						
REV	DESCRIPTION	ECN	DATE	DFTSMN	CHK	APPR
01						
02						



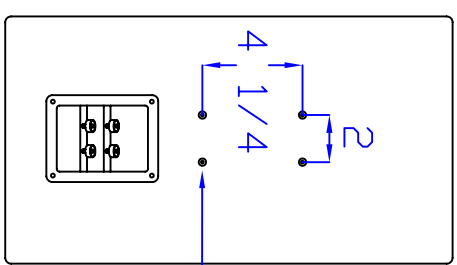
TOP



FRONT



SIDE



BACK

UNLESS OTHERWISE SPECIFIED		TOLERANCE		SLS LOUDSPEAKERS	
1:10 NOT SCALE DRAWING DIMENSIONS ARE IN INCHES		X/Y = ±1/64 XX = ±.03 XXX = ±.010 ANGULAR ±.5°		1650 W. Jackson Dzark, MD 65721 417-883-4549 Fax: 417-883-2723	
MATERIAL	AS SPECIFIED	FINISH	✓	MECHANICAL SPECIFICATION	
FINISH	AS SPECIFIED	DRAWN BY	P. STURLOK	CT8R CABINET	
AS SPECIFIED		CHECKED BY		DWGNO.	CT8R
		DATE	06/23/05	SCALE	1/1
		APPROVED BY		SHEET	1 OF 1
				REV.	0