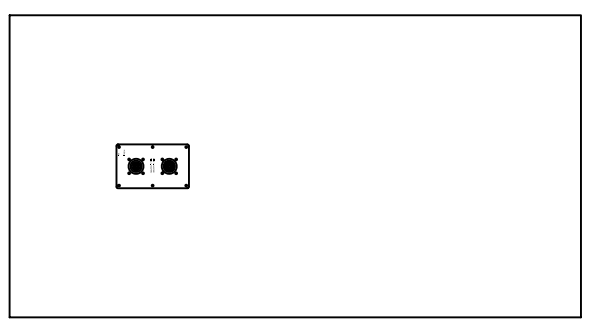
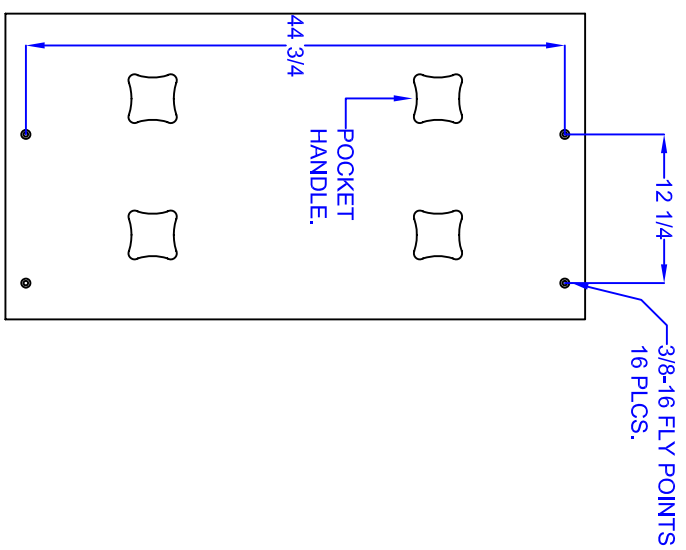
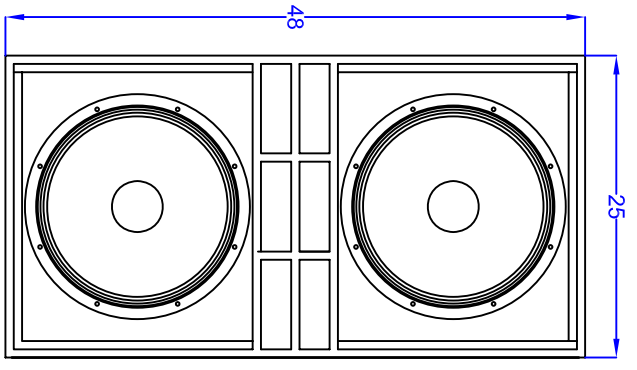
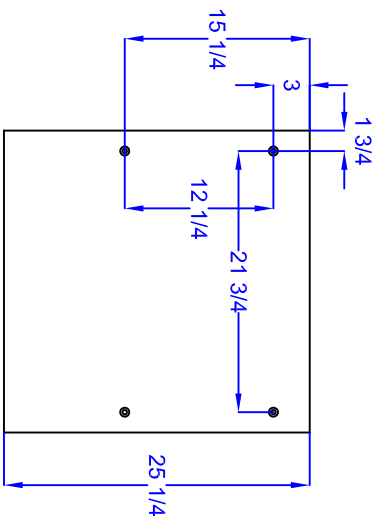


REVISIONS						
REV	DESCRIPTION	ECN	DATE	DFTSMN	CHK	APPR
01						
02						



UNLESS OTHERWISE SPECIFIED		TOLERANCE		<b>SLS LOUDSPEAKERS</b> 1650 W. JACKSON DZARK, MD 65721 417-883-4549 Fax: 417-883-2723			
1:10 NOT SCALE DRAWING DIMENSIONS ARE IN INCHES		X/Y = ±1/64 XX = ±.03 XXX = ±.010 ANGULAR ±.5°					
MATERIAL	AS SPECIFIED	FINISH	✓	<b>MECHANICAL SPECIFICATIONS</b> 218EL CABINET			
FINISH	AS SPECIFIED	DRAWN BY	P. SPURLOCK			DATE	02/15/05
AS SPECIFIED		CHECKED BY		DWGNO.	218EL	REV.	0
		APPROVED BY		SCALE	1/1	SHEET	1 OF 1