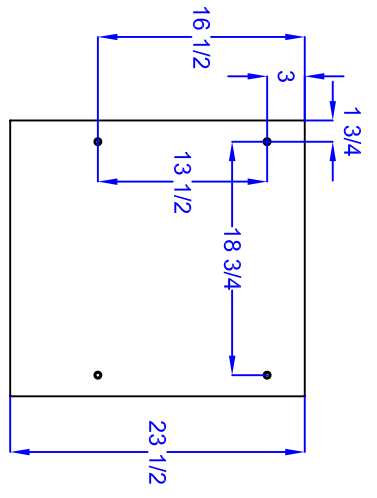
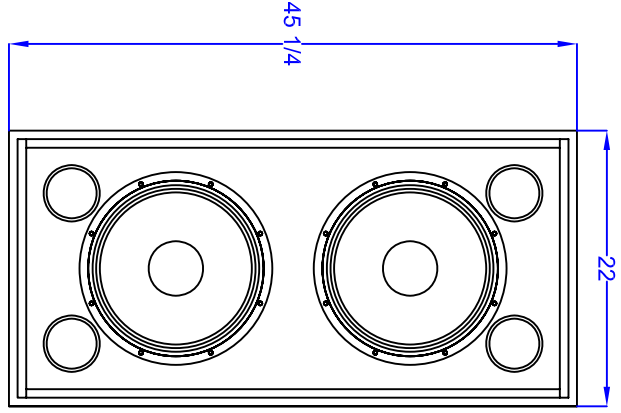


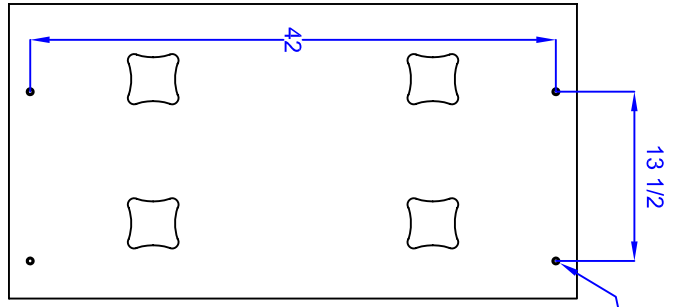
REVISIONS						
REV	DESCRIPTION	ECN	DATE	DFTSMN	CHK	APPR
01						
02						



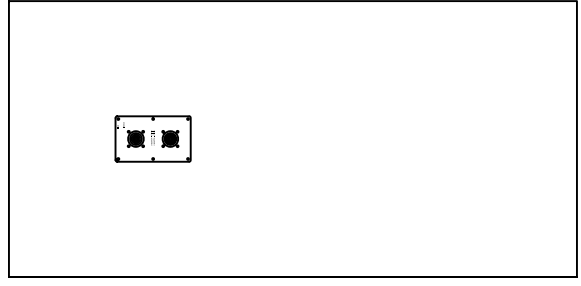
TOP



FRONT



SIDE



BACK

3/8-16 FLY POINT
16 PLCS.

UNLESS OTHERWISE SPECIFIED		TOLERANCE		SLS LOUDSPEAKERS 1650 W. JACKSON DZARK, MD 65721 417-883-4549 Fax: 417-883-2723	
1:10 NOT SCALE DRAWING DIMENSIONS ARE IN INCHES		X/X = ±1/64 XX = ±.03 XXX = ±.010 ANGULAR ±.5°			
MATERIAL		FINISH		MECHANICAL SPECIFICATIONS	
AS SPECIFIED		✓		21SEL CABINET	
AS SPECIFIED		DRAWN BY P. SPURLOCK		DATE 03/08/05	
AS SPECIFIED		CHECKED BY		DWGNO. 21SEL	
AS SPECIFIED		APPROVED BY		SCALE 1/1	
				SHEET 1 OF 1	
				REV. 0	