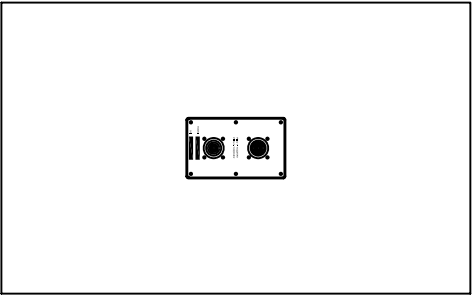
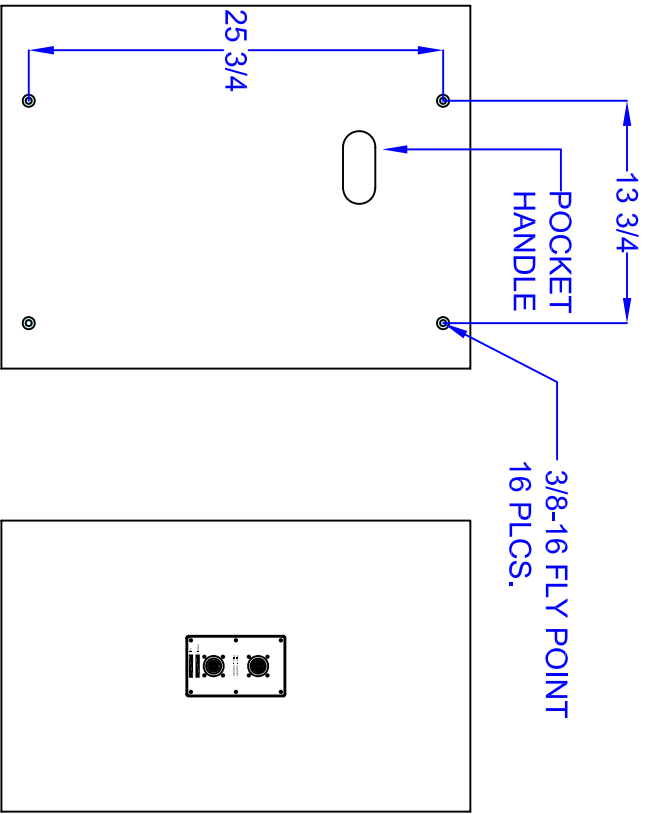
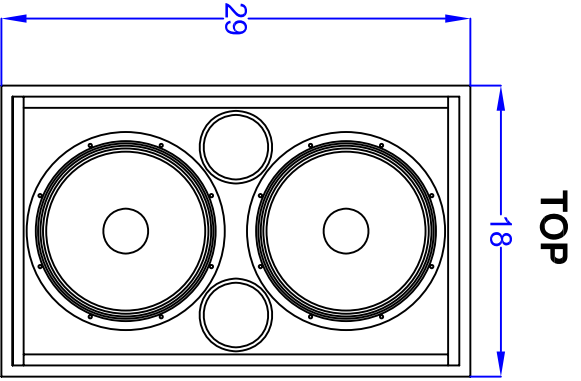
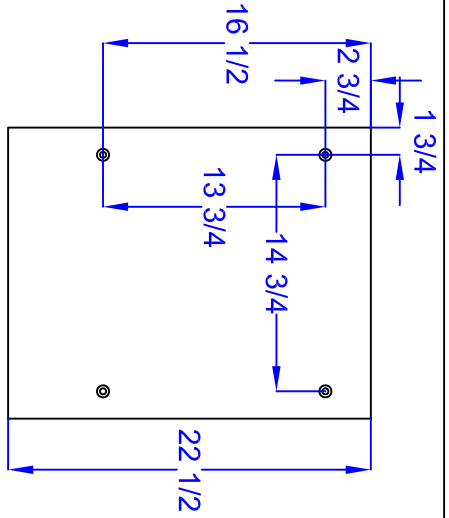


REVISIONS						
REV	DESCRIPTION	ECN	DATE	DFTSMN	CHK	APPR
01						
02						



UNLESS OTHERWISE SPECIFIED		TOLERANCE		SLS LOUDSPEAKERS 1650 W. Jackson Ozark, MD 65721 417-883-4549 Fax: 417-883-2723	
1:10 NOT SCALE DRAWING DIMENSIONS ARE IN INCHES		X/X = ±1/64 .XX = ±.03 .XXX = ±.010 ANGULAR ±.5°			
MATERIAL AS SPECIFIED		FINISH ✓		MECHANICAL SPECIFICATIONS	
AS SPECIFIED		DRAWN BY P. SPURLOCK		212EL CABINET	
		DATE 02/17/05		SCALE 1/1	
		CHECKED BY		REV. 0	
		APPROVED BY		SHEET 1 OF 1	