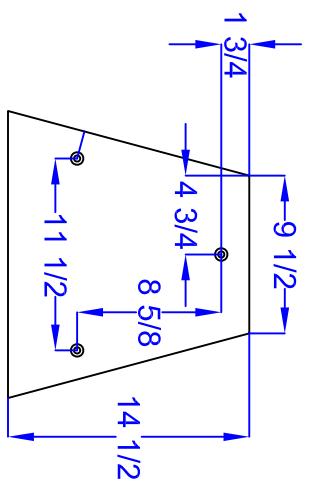
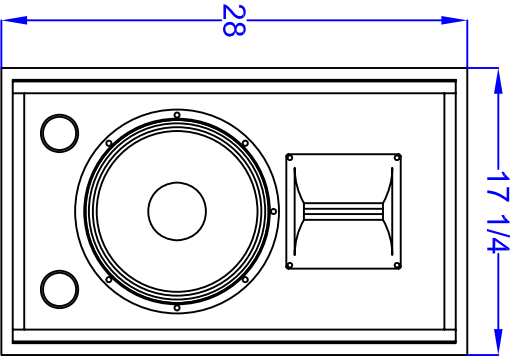


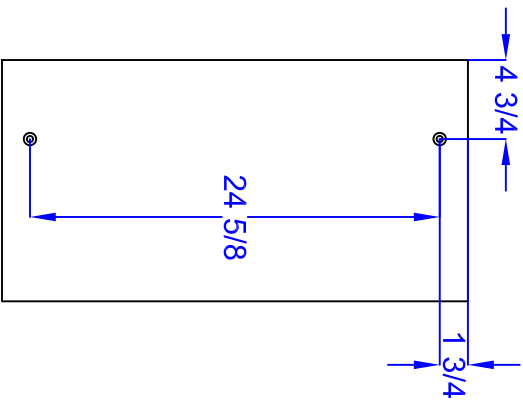
REVISIONS						
REV	DESCRIPTION	ECN	DATE	DFTSMN	CHK	APPR
01						
02						



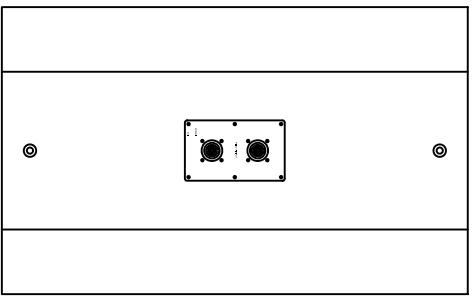
TOP



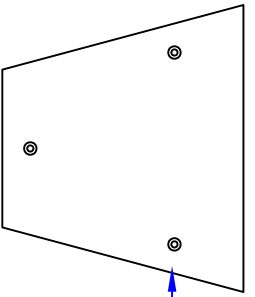
FRONT



SIDE



BACK



BOTTOM

3/8-16 FLY POINT
12 PLCS.

UNLESS OTHERWISE SPECIFIED		TOLERANCE		SLS LOUDSPEAKERS 1650 W. JACKSON DZARK, MD 65721 417-883-4549 Fax: 417-883-2723	
1:10 NOT SCALE DRAWING 2 DIMENSIONS ARE IN INCHES		X/X = ±1/64 XX = ±.03 XXX = ±.010 ANGULAR ±5°			
MATERIAL AS SPECIFIED		FINISH ✓		MECHANICAL SPECIFICATION 1290T-I CABINET	
DRAWN BY P. SPURLOCK		DATE 05/19/05		DVGND. 1290T-I	
CHECKED BY				REV. 0	
APPROVED BY				SCALE 1/1 SHEET 1 OF 1	