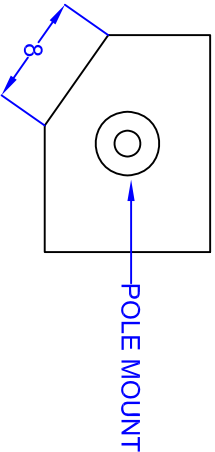
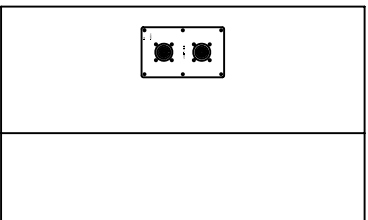
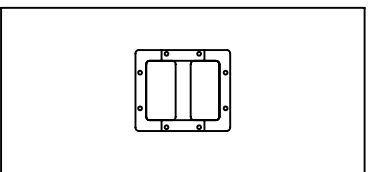
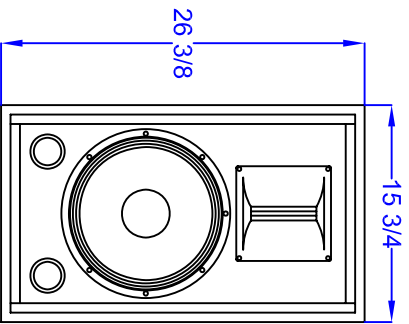
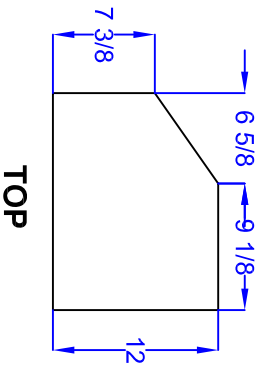


REVISIONS						
REV	DESCRIPTION	EN	DATE	DFTSMN	CHK	APPR
01						
02						



UNLESS OTHERWISE SPECIFIED		TOLERANCE		SLS LOUDSPEAKERS	
1:100 NOT SCALE DRAWING DIMENSIONS ARE IN INCHES		X/X = ±1/64 XX = ±.03 XXX = ±.010 ANGULAR ±.5°		1650 W. Jackson Dzork, MD 65721 417-883-4949 Fax: 417-883-2723	
MATERIAL	AS SPECIFIED	FINISH	✓	MECHANICAL SPECIFICATION	
FINISH	AS SPECIFIED	DRAWN BY	SPURLOCK	1290 CABINET	
AS SPECIFIED		CHECKED BY		DWGNO.	1290
		DATE	05/19/05	SCALE	1/1
		APPROVED BY		SHEET	1 OF 1
				REV.	0