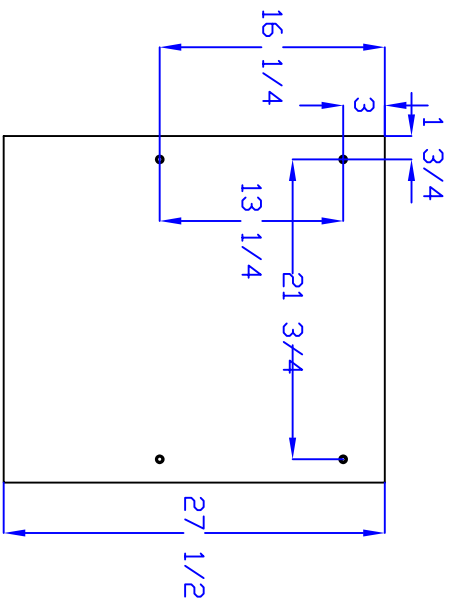
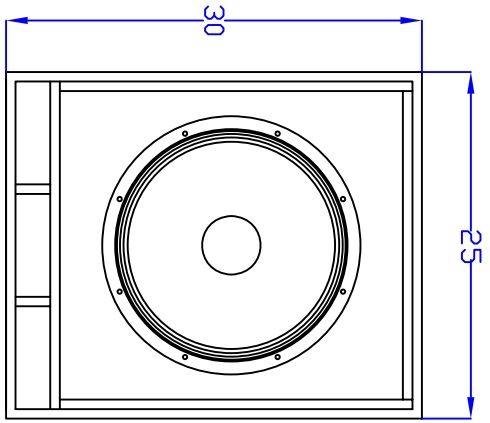


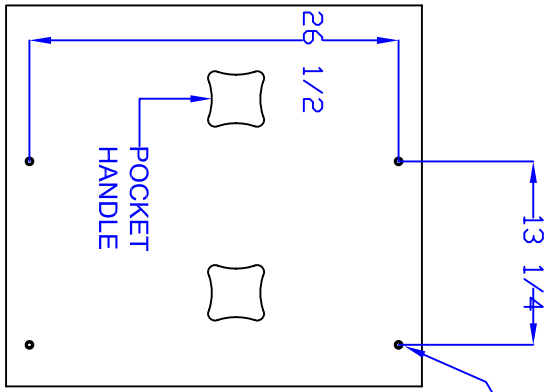
REVISIONS						
REV	DESCRIPTION	ECN	DATE	DFTSMN	CHK	APPR
01						
02						



TOP

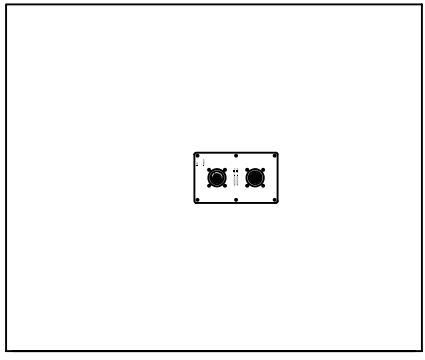


FRONT



SIDE

3/8-16 FLY POINT
16 PLCS.



BACK

UNLESS OTHERWISE SPECIFIED		TOLERANCE		SLS LOUDSPEAKERS	
1:10 NOT SCALE DRAWING DIMENSIONS ARE IN INCHES		X/Y = ±1/64 XX = ±.03 XXX = ±.010 ANGULAR ±5°		1650 W. Jackson Dzark, MD 65721 417-883-4549 Fax 417-883-2723	
MATERIAL	AS SPECIFIED	FINISH	✓	MECHANICAL SPECIFICATION	
FINISH	AS SPECIFIED	DRAWN BY	P. SPURLOCK	118XEL CABINET	
AS SPECIFIED		CHECKED BY		DWGNO.	118XEL
		DATE	02/18/05	SCALE	1/1
		APPROVED BY		SHEET	1 OF 1
				REV.	0