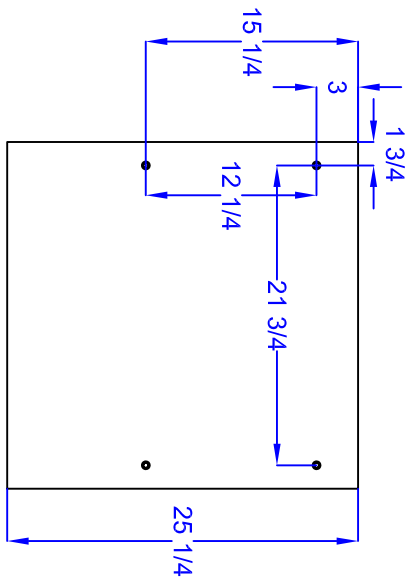
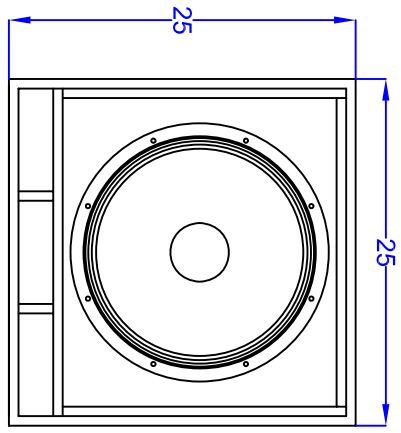


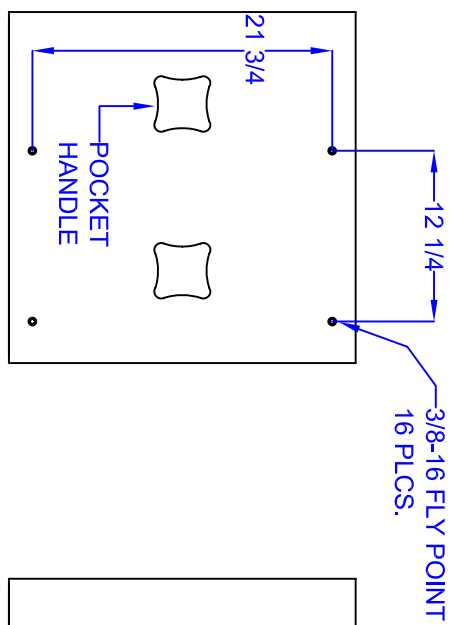
REVISIONS						
REV	DESCRIPTION	ECN	DATE	DFTSMN	CHK	APPR
01						
02						



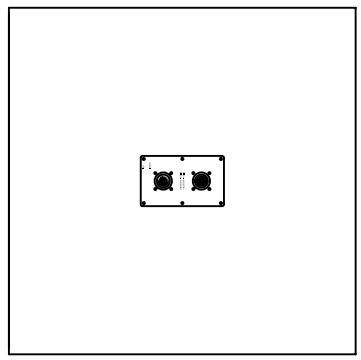
TOP



FRONT



SIDE



BACK

UNLESS OTHERWISE SPECIFIED		TOLERANCE		SLS LOUDSPEAKERS 1650 W. JACKSON DZARK, MD 65721 417-883-4549 Fax: 417-883-2723	
1:10 NOT SCALE DRAWING DIMENSIONS ARE IN INCHES		X/Y = ±1/64 XX = ±.03 XXX = ±.010 ANGULAR ±5°			
MATERIAL AS SPECIFIED		FINISH ✓		MECHANICAL SPECIFICATIONS	
AS SPECIFIED		DRAWN BY P. SPURLOCK		118EL CABINET	
AS SPECIFIED		CHECKED BY		118EL	
		DATE 02/18/05		SCALE 1/1	
		APPROVED BY		SHEET 1 OF 1	
				REV. 0	