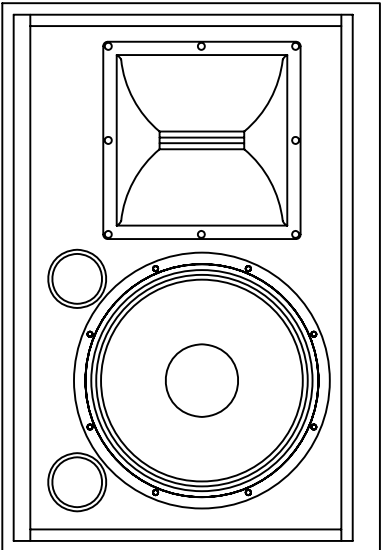
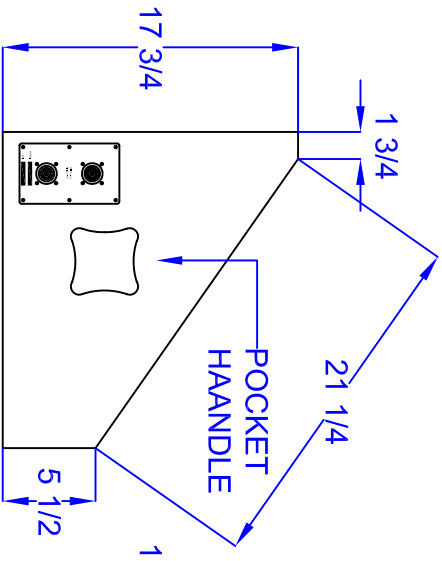


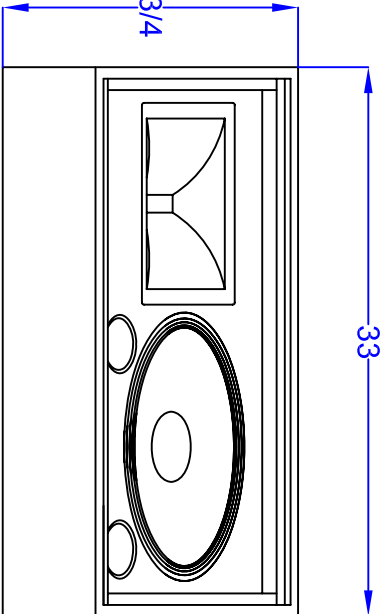
REVISIONS						
REV	DESCRIPTION	ECN	DATE	DFTSMN	CHK	APPR
01						
02						



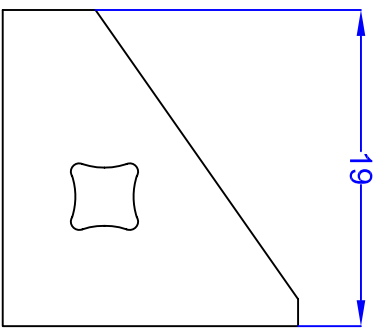
TOP



LEFT SIDE



FRONT



RIGHT SIDE

UNLESS OTHERWISE SPECIFIED		TOLERANCE		1650 W. JACKSON	
1:10 NOT SCALE DRAWING		X/Y = ±1/64		DZARK, MD 65721	
DIMENSIONS ARE IN INCHES		XX = ±.03		417-883-4549 Fax: 417-883-2723	
MATERIAL		ANGULAR ±5°		MECHANICAL SPECIFICATION	
AS SPECIFIED		FINISH ✓		115RM CABINET	
FINISH		DRAWN BY P. SPURLOCK		DATE 02/28/05	
AS SPECIFIED		CHECKED BY		DWGNO. 115RM	
		APPROVED BY		SCALE 1/1	
				SHEET 1 OF 1	
				REV. 0	

SLS LOUDSPEAKERS

115RM CABINET