



Product Technical Data Sheet

Model 218-I



Description

The 218-I is a dual 18" vented subwoofer, designed with a small front surface area for installation against walls and under stages with minimal sightline issues.

Each subwoofer has integral rigging points and also ships with (4) rubber feet that can be placed anywhere on the cabinet; placing the subwoofer on the ground on any of the available five sides.

The 18" drivers used in the 218-I have a Neo magnet structure for light weight and a high-temperature voice coil with a large Xmech rating for reliable operation.

Key Features:

- Angled woofers for a minimal front surface area
- 13-ply Baltic Birch cabinets
- Extensive internal bracing
- M10 Integrated rigging points
- (4) rubber feet included for placement anywhere on the subwoofer



Applications

Developed for a wide range of professional applications where the highest quality is required

- Installation under stages and against walls
- Flown to supplement main clusters

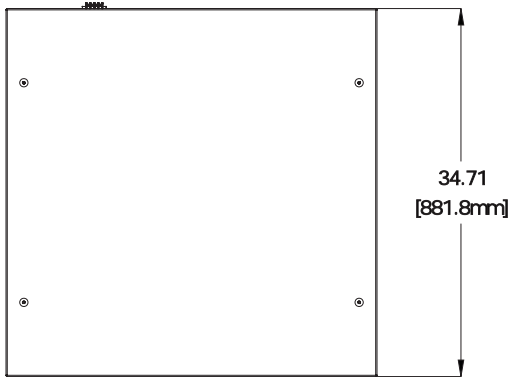
Product Specifications	
Operating Range ¹	36Hz- 300Hz
Sensitivity (1W/1M) ²	102dB
Power Handling ³	1000W (64 Volts) AES/2
Recommended Amp Power for Max Output	2000 Watts @ 4 ohms
Max SPL (calculated) 1 Meter	133dB Cont. / 139dB Peak
Nominal Impedance	4 Ohms
Transducers	2 x 18" Woofers
Input	Barrier Strip
Dimensions	20.2" (51.3cm) H
	33.63" (85.4cm) W
	34.7" (81.1cm) D
Enclosure	13ply Baltic Birch
Weight	128lbs (58.1kg) Shipping 143lbs (64.9kg)
Rigging	16 points (M10 threaded inserts)
Finish Options	Black Latex
	White Latex
	Paintable Natural Finish

1. LF at -10dB
 2. Full bandwidth pink noise is applied and amplified to a level and measured at the loudspeaker terminals - corresponding to 1 Watt as referenced to the loudspeakers nominal impedance. SPL is measured in a half-space environment in the loudspeakers far field. Data is extrapolated to 1 Meters distance from the loudspeaker.
 3. AES established with ambient temperature at 22C in accordance with AES/2-1984 standard. IEC stated in RMS voltage according to IEC 268-5

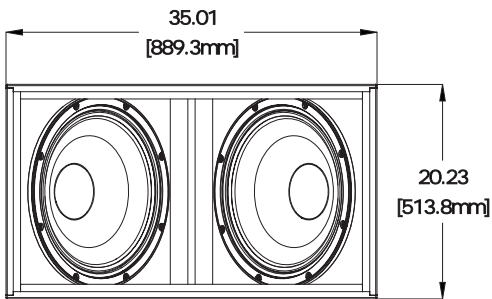
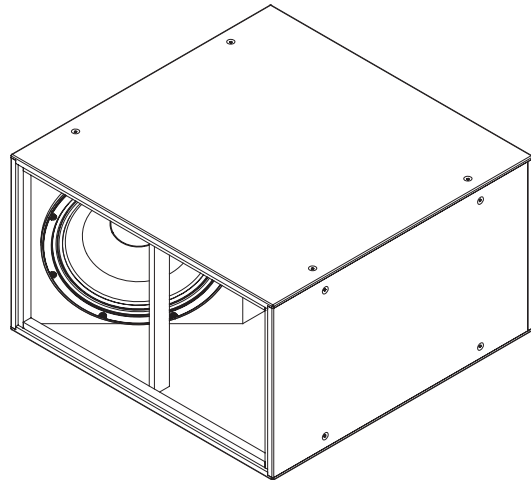


SUPERIOR LISTENING SYSTEMS
AUDIO CLARITY REDEFINED

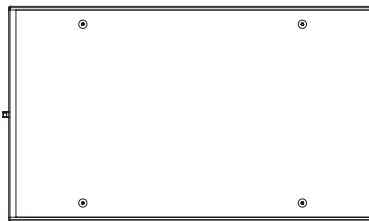
218-I Drawings



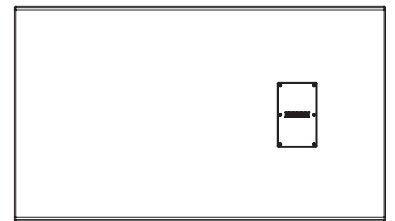
TOP



FRONT



SIDE



BACK