



Product Technical Data Sheet

Model 212EL

Description

The 212EL is a dual 12" high powered vented loudspeaker, designed for low bass and subwoofer applications. It delivers maximized performance in a small enclosure.

The 12" drivers for the 212EL use a Neo magnet structure and a high-temperature voice coil.



Key Features:

- Ported front loaded driver design for high sensitivity and transient response
- 13-ply Baltic Birch cabinet
- Extensive internal bracing
- Integrated rigging points

Product Specifications	
Operating Range ¹	42Hz- 800Hz
Sensitivity (1W/1M) ²	100dB
Power Handling ³	1000W (64 Volts) AES/2
Recommended Amp Power for Max Output	2000 Watts @ 4 ohms
Max SPL (calculated) 1 Meter	130dB Cont. / 136dB Peak
Nominal Impedance	4 Ohms
Transducers	2 x 12" Woofers
Input	NL4 x2 Pair 1 = Woofers 1 & 2
Dimensions	29" (74cm) H 18" (46cm) W 22.44" (57cm) D
Enclosure	13ply Baltic Birch
Weight	58lbs (26.3kg) Shipping 90lbs (40.8kg)
Rigging	16 points (3/8"/16 threaded inserts)
Finish Options	Black Latex White Latex Paintable Natural Finish

Applications

Developed for a wide range of professional applications where the highest quality is required

- Portable PA
- Ideally sized for steered bass array applications
- Flown to supplement main clusters
- Installation under stages
- Placed between two full range boxes as part of an engineered cluster design

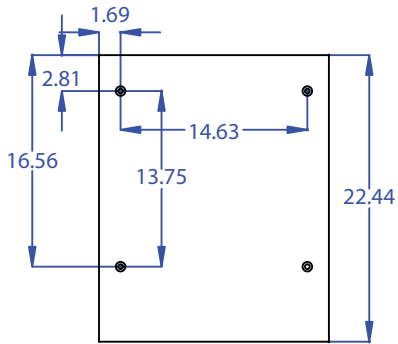
1. LF at -10dB

2. Full bandwidth pink noise is applied and amplified to a level and measured at the loudspeaker terminals - corresponding to 1 Watt as referenced to the loudspeakers nominal impedance. SPL is measured in a half-space environment in the loudspeakers far field. Data is extrapolated to 1 Meters distance from the loudspeaker.

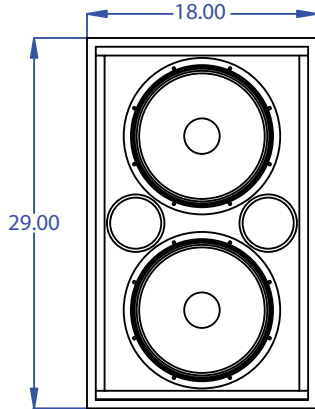
3. AES established with ambient temperature at 22C in accordance with AES/2-1984 standard. IEC stated in RMS voltage according to IEC 268-5



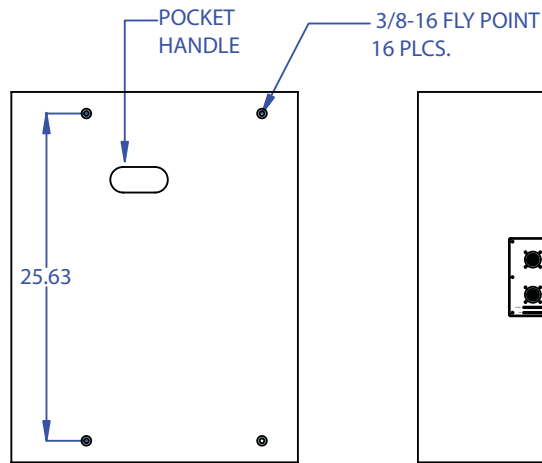
212EL Drawings



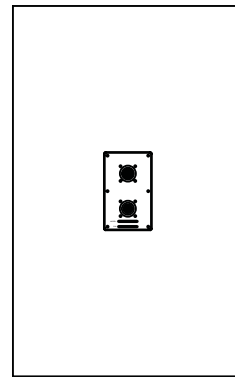
TOP



FRONT



SIDE



BACK