



Product Technical Data Sheet

**Model 118EL**

Description

The 118EL is a single 18" subwoofer. It provides maximized performance in a small enclosure size while still providing excellent low frequency extension.

The 18" driver for the 118EL uses a Neo magnet structure and a high-temperature voice coil.

Key Features:

- Ported front loaded driver design
- 13-ply Baltic Birch cabinets
- Extensive internal bracing
- Integrated rigging points



**Applications**

Developed for a wide range of professional applications where the highest quality is required

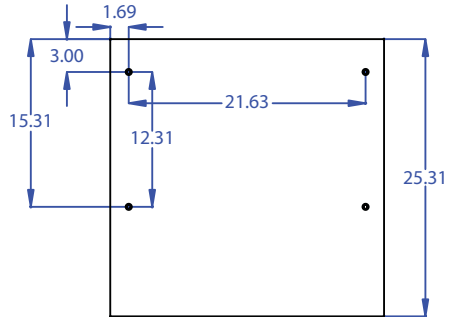
- Portable PA
- Installation under stages
- Flown to supplement main clusters
- Placed between two full range boxes as part of an engineered cluster design

Product Specifications	
Operating Range <sup>1</sup>	34Hz - 400Hz
Sensitivity (1W/1M) <sup>2</sup>	99dB
Power Handling <sup>3</sup>	500W (64 Volts) AES/2
Recommended Amp Power for Max Output	1000 Watts @ 8 ohms
Max SPL (calculated) 1 Meter	126dB Cont. / 132dB Peak
Nominal Impedance	8 Ohms
Transducer	18" Woofer
Input	NL4 x2
Dimensions	25" (64cm) H 25" (64cm) W 25.3" (65cm) D
Enclosure	13ply Baltic Birch
Weight	68lbs (30.8kg) Shipping 108lbs (49kg)
Rigging	16 points (3/8"/16 threaded inserts)
Finish Options	Black Latex White Latex Paintable Natural Finish

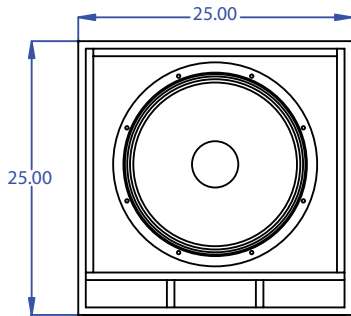
1. LF at -10dB  
 2. Full bandwidth pink noise is applied and amplified to a level and measured at the loudspeaker terminals - corresponding to 1 Watt as referenced to the loudspeakers nominal impedance. SPL is measured in a half-space environment in the loudspeakers far field. Data is extrapolated to 1 Meters distance from the loudspeaker.  
 3. AES established with ambient temperature at 22C in accordance with AES/2-1984 standard. IEC stated in RMS voltage according to IEC 268-5



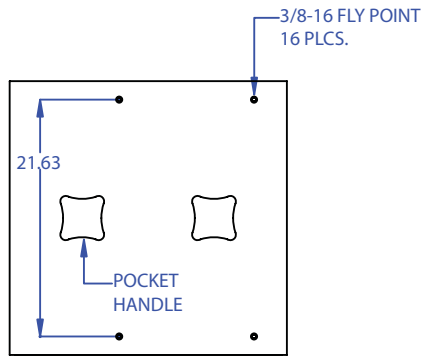
# 118EL Drawings



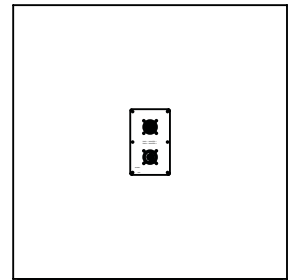
TOP



FRONT



SIDE



BACK