



Product Technical Data Sheet

**Model 115RM**

Description

The 115RM is a full-range bi-amped high quality 15" stage monitor that offers high SPL at very low distortion.

The 115RM high frequency section features a high performance PRD1000 planar ribbon transducer designed and manufactured by SLS Loudspeakers. The unique design and properties of the planar ribbon driver allows for very clear delivery and transient accuracy even at the limits of its performance. The PRD1000 is contained within an 80-degree die cast aluminum waveguide that can be rotated 90 degrees within the cabinet.

The rotatable ribbon provides an option to maximize the monitoring coverage area. An 80-degree horizontal pattern for wide left to right monitoring allows for multiple performers or for a single performer to move left to right while maintaining vertical control of sound coverage. An 80-degree vertical pattern allows a single performer to move up and down stage while maintaining tight horizontal control of sound coverage.

The low frequency section uses a single high-powered 15" driver designed with a Neo magnet structure and high-temperature voice coil.

An optional passive crossover is available. The PXO crossover utilizes high quality heavy gauge air core inductors and polypropylene capacitors.

Key Features:

- PRD1000 ribbon high frequency driver delivers unsurpassed sound quality
- Open and clear sound at high SPL due to advanced transducer technology
- Rotatable ribbon for maximized monitoring coverage area
- Optional passive crossover for single amp operation
- ¾" 13 ply Baltic Birch cabinet



Product Specifications	
Operating Range <sup>1</sup>	48Hz - 20,000Hz
Sensitivity (1W/1M) - Passive <sup>2</sup>	97dB
Active - Low Freq.	96dB
Active - High Freq.	107dB
Horizontal Coverage Angle -6dB <sup>3</sup>	80 Degrees
Vertical Coverage Angle -6dB <sup>3</sup>	30 Degrees
Power Handling - Passive <sup>4</sup>	500W (64 Volts) AES/2
Active - Low Freq.	500W (64 Volts) AES/2
Active - High Freq.	385W (50 Volts) IEC Short Term
	104W (26 Volts) IEC Long Term
	60W (20 Volts) AES/2
Recommended Amp Power for Max Output	
Passive or Bi-amp Low Freq.	1000 Watts @ 8 ohms
High Freq.	400 Watts @ 8 ohms
Max SPL (calculated) 1 Meter - Low Freq.	123dB Cont. / 129dB Peak
High Freq. <sup>5</sup>	127dB Cont. / 133dB Peak
Nominal Impedance - Passive	8 Ohms
Active - Low Freq.	8 Ohms
Active - High Freq.	6.5 Ohms
Crossover Frequency	1200Hz (PXO option)
Transducers - Low Freq.	15" Woofer
High Freq.	PRD1000 Ribbon
Input	NL4 x2
	Pair 1 = LF Pair 2 = HF
	With PXO option Pair 1 = Full Range
Dimensions	17.75" (45cm) H
	33" (84cm) W
	19" (48cm) D
Enclosure	13ply Baltic Birch
Weight	79lbs (35.8kg) Shipping 104lbs (47kg)
Rigging	No rigging points provided
Optional Accessories	PXO Passive Crossover
Finish Options	Black Latex
	White Latex
	Paintable Natural Finish

**Applications**

Developed for professional stage monitoring applications where the highest quality and intelligibility of sound is required

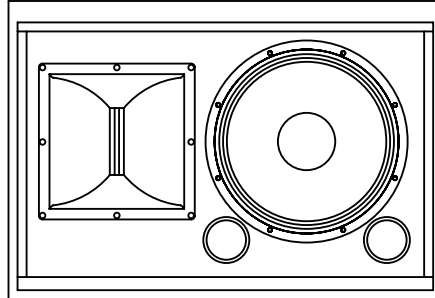
- High quality / High SPL live music performances

1. LF at -10dB, HF -6dB at 30kHz on-axis however response above 20kHz is limited by air absorption and DSP sampling rates in typical PA applications.  
 2. Full bandwidth pink noise is applied and amplified to a level and measured at the loudspeaker terminals - corresponding to 1 Watt as referenced to the loudspeakers nominal impedance. SPL is measured in an anechoic environment in the loudspeakers far field. Data is extrapolated to 1 Meters distance from the loudspeaker.  
 3. Averaged from 1000Hz to 10kHz  
 4. AES established with ambient temperature at 22C in accordance with AES/2-1984 standard. IEC stated in RMS voltage according to IEC 268-5  
 5. Ribbon SPL calculated from IEC long term and short term

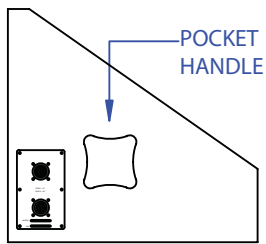


**SUPERIOR LISTENING SYSTEMS**  
AUDIO CLARITY REDEFINED

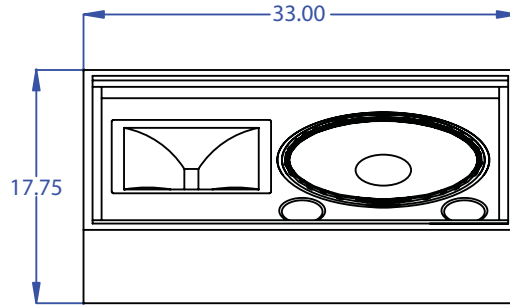
# 115RM Drawings



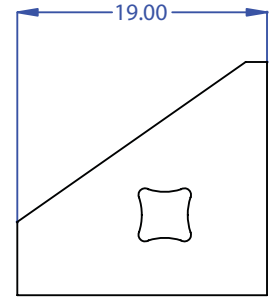
TOP



LEFT SIDE



FRONT



RIGHT SIDE