



Product Technical Data Sheet

Model 115EL

Description

The 115EL is a single 15" subwoofer. It provides maximized performance in a small enclosure size while still providing excellent low frequency extension.

The 15" driver in the 115EL uses a Neo magnet structure and a high-temperature voice coil.



Key Features:

- Ported front loaded driver design
- 13-ply Baltic Birch cabinet
- Extensive internal bracing
- Integrated rigging points

Applications

Developed for a wide range of professional applications where the highest quality is required

- Portable PA
- Installation under stages
- Flown to supplement main clusters
- Placed between two full range boxes as part of an engineered cluster design

Product Specifications	
Operating Range ¹	37Hz- 800Hz
Sensitivity (1W/1M) ²	98dB
Power Handling ³	500W (64 Volts) AES/2
Recommended Amp Power for Max Output	1000 Watts @ 8 ohms
Max SPL (calculated) 1 Meter	125dB Cont. / 131dB Peak
Nominal Impedance	8 Ohms
Transducer	15" Woofer
Input	NL4 x2
Dimensions	23" (58cm) H 22" (56cm) W 23.5" (60cm) D
Enclosure	13ply Baltic Birch
Weight	65lbs (29.5kg) Shipping 92lbs (41.7kg)
Rigging	16 points (3/8"/16 threaded inserts)
Finish Options	Black Latex White Latex Paintable Natural Finish

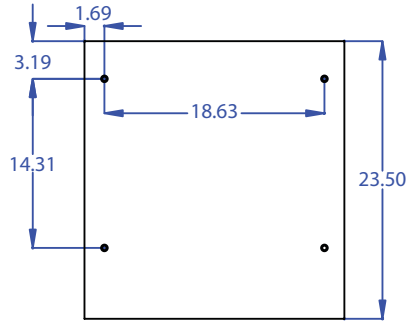
1. LF at -10dB

2. Full bandwidth pink noise is applied and amplified to a level and measured at the loudspeaker terminals - corresponding to 1 Watt as referenced to the loudspeakers nominal impedance. SPL is measured in a half-space environment in the loudspeakers far field. Data is extrapolated to 1 Meters distance from the loudspeaker.

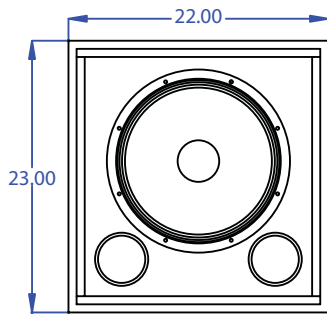
3. AES established with ambient temperature at 22C in accordance with AES/2-1984 standard. IEC stated in RMS voltage according to IEC 268-5



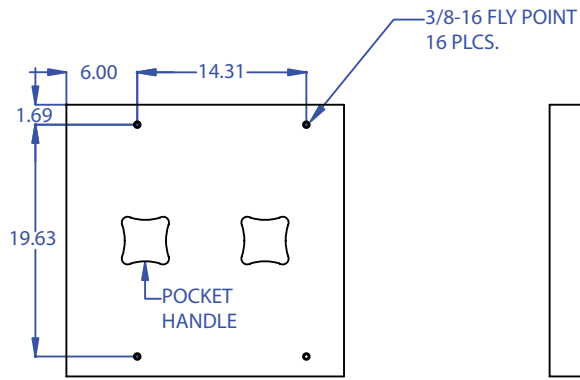
115EL Drawings



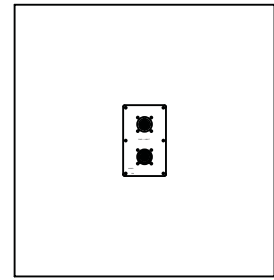
TOP



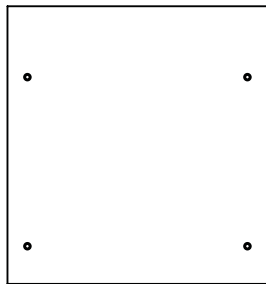
FRONT



SIDE



BACK



BOTTOM