



Product Technical Data Sheet  
**Model 112RT/112RT-I**

Description

The 112RT is a full-range bi-amped high quality 12" two-way design. It serves as a multipurpose loudspeaker enclosure that provides high SPL with very low distortion. Both a portable and installation version are available. The portable 112RT offers handles and a pole socket. The 112RT-I version offers 12 attachment points and barrier strip inputs for installation.

The high frequency section features a high performance PRD1000 planar ribbon transducer designed and manufactured by SLS Loudspeakers. The unique design and properties of the planar ribbon driver allows for very clear delivery and transient accuracy even at the limits of its performance. The PRD1000 is contained within an 80 degree die cast aluminum waveguide that is rotatable within the cabinet.

The low frequency section uses a single high-powered 12" driver designed with a Neo magnet structure and high-temperature voice coil.

An optional passive crossover is available. The PXO crossover utilizes high quality heavy gauge air core inductors and polypropylene capacitors.

Key Features:

- PRD1000 ribbon high frequency driver delivers unsurpassed sound quality
- Open and clear sound at high SPL due to advanced transducer technology
- Integrated rigging points (112RT-I)
- Handles and pole socket for 112RT version
- Optional passive crossover for single amp operation
- 80 degree wide horizontal coverage with rotatable ribbon
- ¾" 13 ply Baltic Birch cabinet

**Applications**

Developed for a wide range of professional applications where the highest quality and intelligibility of sound is required

- Permanent sound reinforcement systems:
  - o Churches
  - o Auditoriums
  - o Arenas
- Professional Portable PA system for a wide variety of applications



Product Specifications	
Operating Range <sup>1</sup>	58Hz - 20,000Hz
Sensitivity (1W/1M) -Passive <sup>2</sup>	97dB
Active - Low Freq.	96dB
Active - High Freq.	107dB
Horizontal Coverage Angle -6dB <sup>3</sup>	80 Degrees
Vertical Coverage Angle -6dB <sup>3</sup>	30 Degrees
Power Handling - Passive <sup>4</sup>	500W (64 Volts) AES/2
Active - Low Freq.	500W (64 Volts) AES/2
Active - High Freq.	385W (50 Volts) IEC Short Term 104W (26 Volts) IEC Long Term 60W (20 Volts) AES/2
Recommended Amp Power for Max Output	
Passive or Bi-amp Low Freq.	1000 Watts @ 8 ohms
High Freq.	400 Watts @ 8 ohms
Max SPL (calculated) 1 Meter - Low Freq.	123dB Cont. / 129dB Peak
High Freq. <sup>5</sup>	127dB Cont. / 133dB Peak
Nominal Impedance - Passive	8 Ohms
Active - Low Freq.	8 Ohms
Active - High Freq.	6.5 Ohms
Crossover Frequency	1200Hz (PXO option)
Transducers - Low Freq.	12" Woofer
High Freq.	PRD1000 Ribbon
Input	NL4 x2 or Barrier Strip on I version Pair 1 = LF Pair 2 = HF With PXO option Pair 1 = Full Range
Dimensions	28" (71cm) H 17.25" (44cm) W 14.5" (37cm) D
Enclosure	13ply Baltic Birch
Weight	52lbs (23.6kg) Shipping 64lbs (29kg)
Rigging (112RT-I Only)	12 points (3/8"/16 threaded inserts)
Optional Accessories	PXO Passive Crossover
Finish Options	Black Latex White Latex Paintable Natural Finish

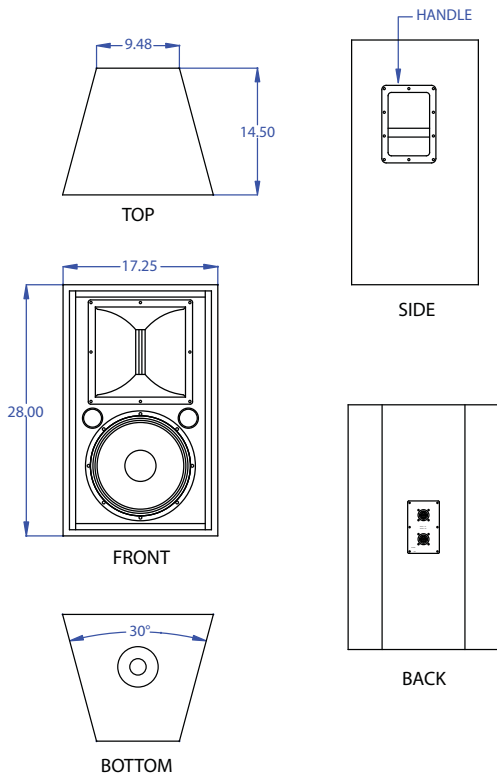
1. LF at -10dB, HF -6dB at 30kHz on-axis however response above 20kHz is limited by air absorption and DSP sampling rates in typical PA applications.  
 2. Full bandwidth pink noise is applied and amplified to a level and measured at the loudspeaker terminals - corresponding to 1 Watt as referenced to the loudspeakers nominal impedance. SPL is measured in an anechoic environment in the loudspeakers far field. Data is extrapolated to 1 Meters distance from the loudspeaker.  
 3. Averaged from 1000Hz to 10kHz  
 4. AES established with ambient temperature at 22C in accordance with AES/2-1984 standard. IEC stated in RMS voltage according to IEC 268-5  
 5. Ribbon SPL calculated from IEC long term and short term



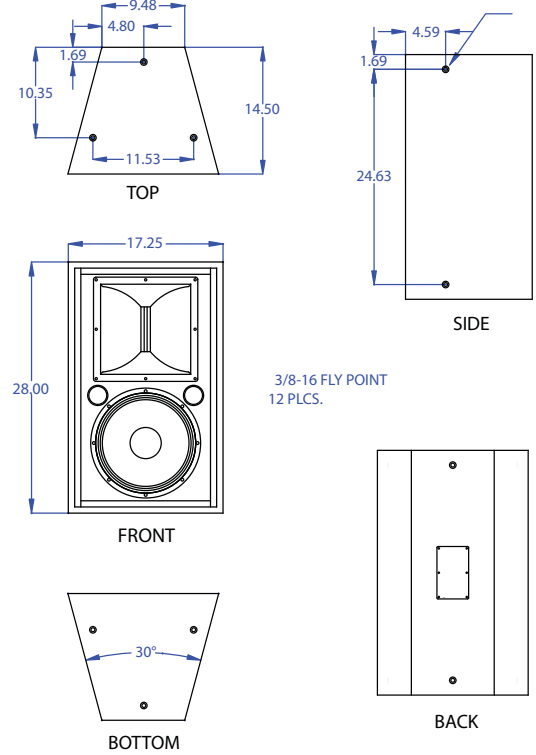
**SUPERIOR LISTENING SYSTEMS**  
AUDIO CLARITY REDEFINED

# 112RT/112RT-I Drawings

112RT Version



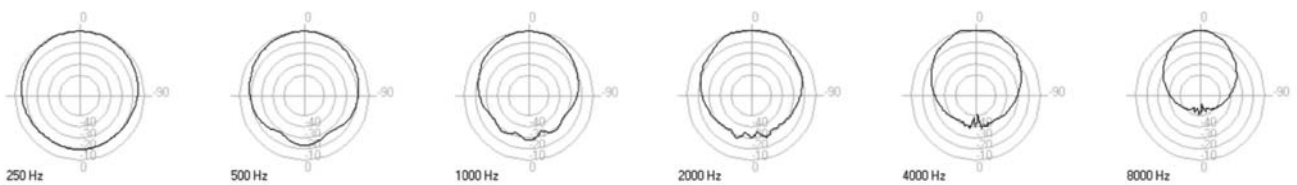
112RT-I Version



3/8-16 FLY POINT  
12 PLCS.

## Polars

Horizontal Axis



Vertical Axis

